

K15

Materials/Tools Required:

Level
 Pencil
 Masking Tape
 Burnishing Tool
 Tape Measure

Recommended Cleaning Materials:

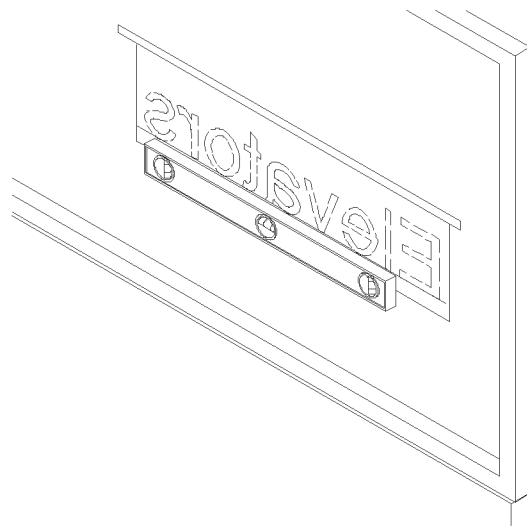
Lint Free Cloth or Wipes
 Mild soap and water solution

Important Installation Guidelines:

- Glass surface must be smooth, clean and dry.
- Install temperature must be 50°F to 75°F.
- Do not install onto surfaces with anti-graffiti coating.

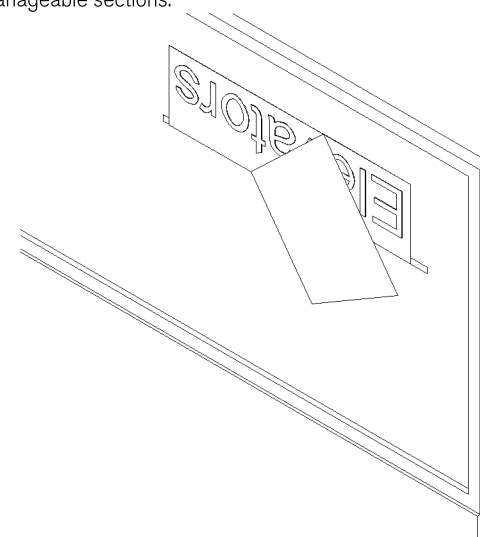
K15 - Vinyl Letter Application (Glass)

Step 1:
 Clean glass surface. Using a straight edge, draw a pencil line along bottom of lettering for reference. Assuring level, position lettering on surface and apply masking tape along top edge.

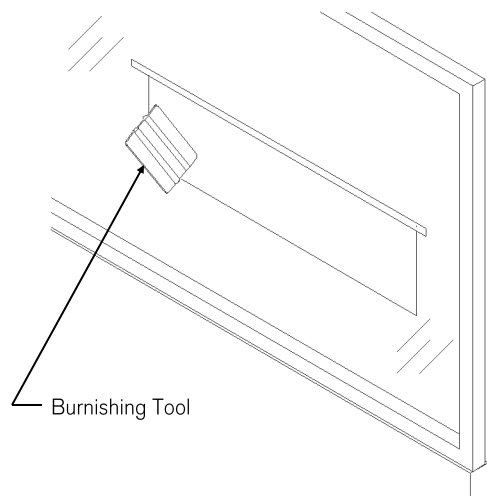


Step 2:
 Flip lettering up to access backside. Pull off adhesive liner on letters only.

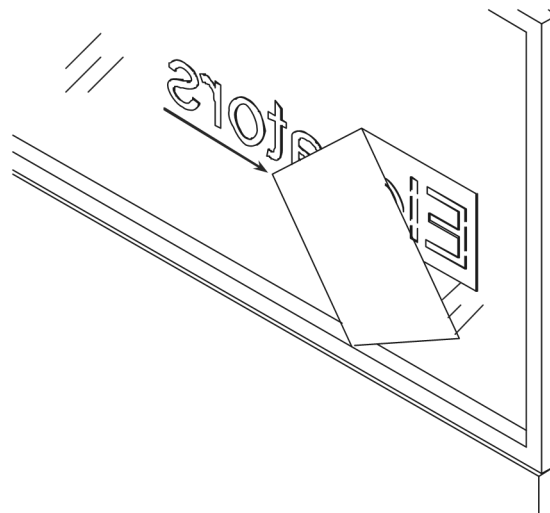
Note: If vinyl lettering is too long, cut between letters to break into manageable sections.



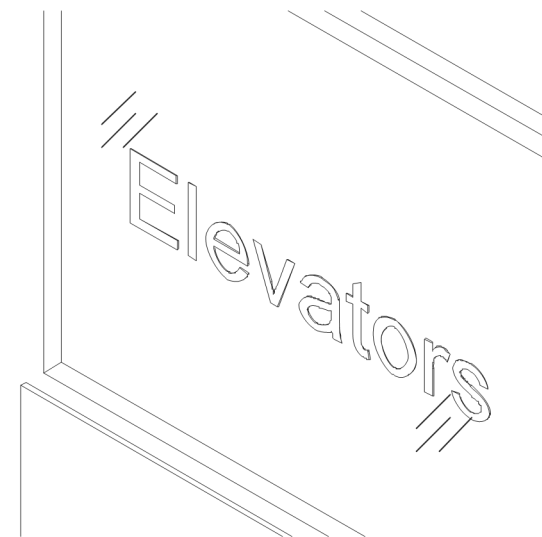
Step 3:
 Press vinyl to window. Use burnishing tool to remove excess air bubbles from behind vinyl. Start burnishing in middle and work out to edges.



Step 4:
 Pull release paper on an angle, in accordance with drawing below. If vinyl starts to lift, replace release paper and use burnishing tool to remove bubbles.



Step 5:
 Remove finger prints from window using recommended cleaning materials. DO NOT use ammonia or alcohol based cleaners.



K15

Materials/Tools Required:

- Level
- Pencil
- Masking Tape
- Burnishing Tool
- Tape Measure

Recommended Cleaning Materials:

- Lint Free Cloth or Wipes
- Mild soap and water solution

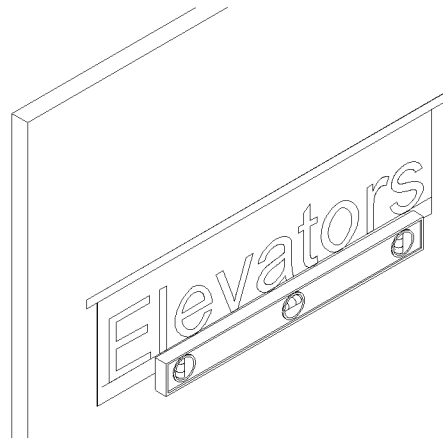
Important Installation Guidelines:

- Wall surface must be, flat, smooth, clean and dry.
- Install temperature must be 50°F to 75°F.
- Do not install onto walls with oil-based paint finish or anti-graffiti coating.
- Allow paint to dry for 30 days prior to installation to avoid outgassing of paint and bubbling of graphic.

K15 - Vinyl Letter Application

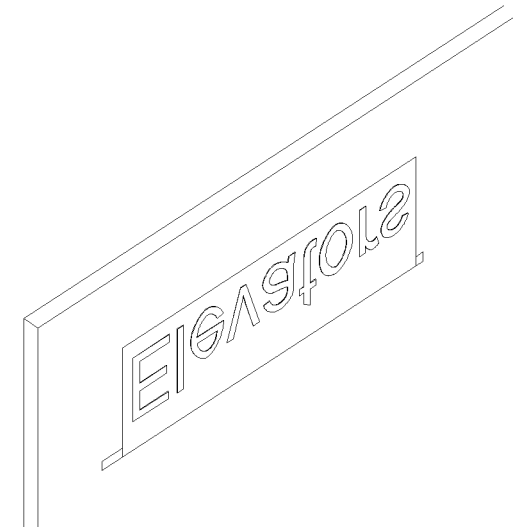
Step 1:

Wipe down wall using a dusting brush, lint free cloth, or damp sponge to remove dust and debris. Using a straight edge, draw a pencil line along bottom of lettering for reference. Assuring level, position lettering on surface and apply masking tape along top edge.



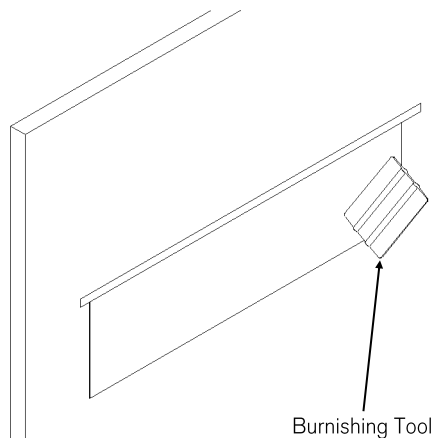
Step 2:

Flip lettering up to access backside. Pull off adhesive liner on letters only. Be sure not to let the adhesive side of the vinyl touch itself.



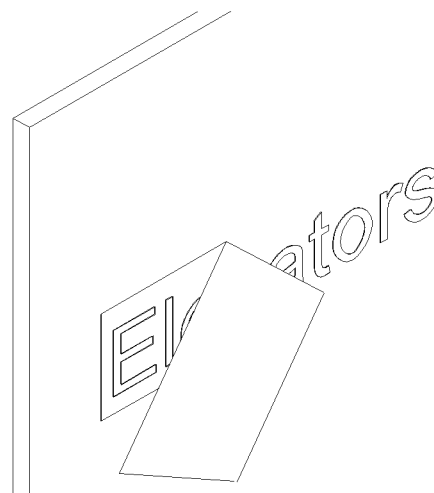
Step 3:

Flip vinyl down to apply to wall. Smooth vinyl against wall with a squeegee, starting at the top and working from center outward as you work your way down. Be sure to remove all air bubbles and wrinkles. If any bubbles or wrinkles remain, gently peel away from wall and reapply with squeegee.



Step 4:

Carefully peel application tape from front face on a 180° angle. Do not pull the application tape straight out as this can pull up the vinyl. If vinyl starts to lift, replace application tape and squeegee over vinyl again before removing.



Step 5:

Clean the vinyl using recommended cleaners and wipe with a lint free cloth.

