

K71 Hardware Kit Includes:
 #8x3/4" Sheet Metal Screw (20) 900-90356A267

Materials/Tools Required:
 Phillips Head Screwdriver / drill with Phillips Head bit

Recommended Cleaning Materials:
 Lint Free Cloth or Wipes
 Fantastik® All-Purpose Cleaner

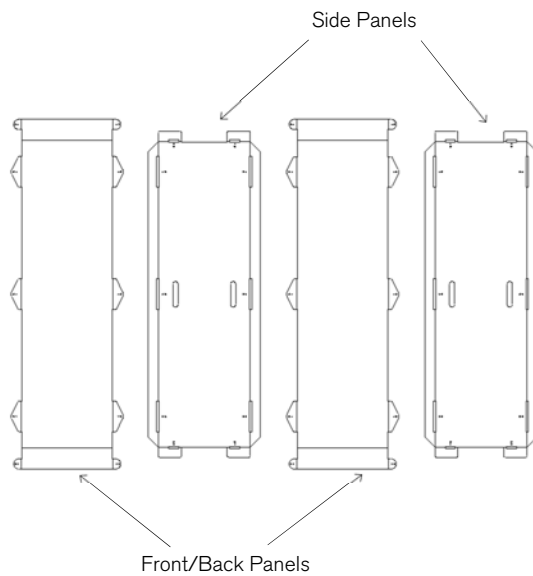
K71 - Respond Temporary Monument Assembly (Interior)

WARNING: The ACM panels and tabs will fracture if bent more than once. Please read through assembly instructions prior to bending any tabs.

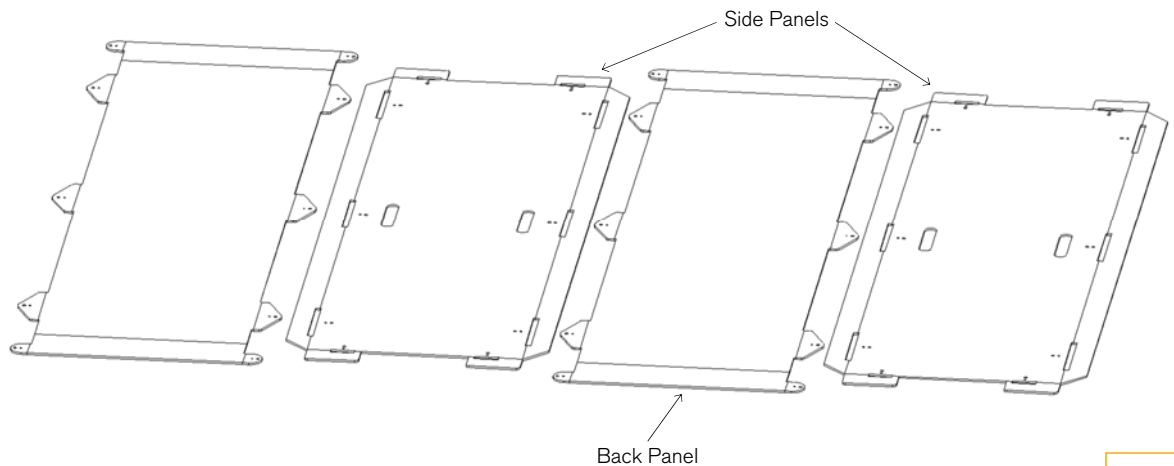
Each bend in this assembly is an inward bend. ACM Panels will fracture if bent more than once. Please note the difference as shown below:



Step 1:
 Lay all panels flat on the ground, print side down. Be careful not to bend any tabs.



Step 2:
 On the back panel, fold the triangular tabs up 45°. On the side panels, locate the long tabs closest to the back panel, and bend 45°. Locate remaining tabs on the side panels, bend 90°. Do NOT bend other tabs on the front/back panels.





K71 Hardware Kit Includes:
 #8x3/4" Sheet Metal Screw (20) 900-90356A267

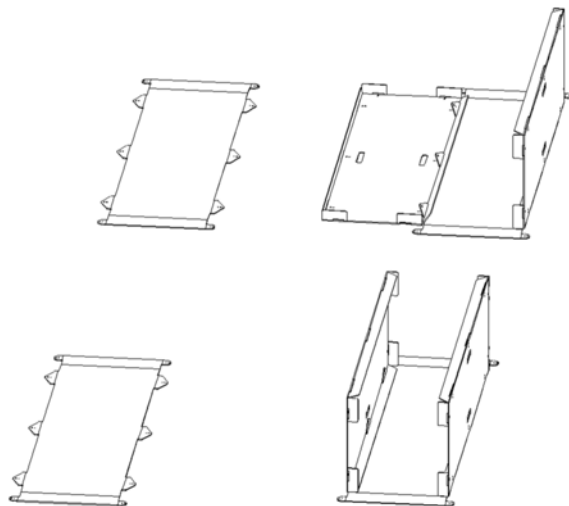
Materials/Tools Required:
 Phillips Head Screwdriver / drill with Phillips Head bit

Recommended Cleaning Materials:
 Lint Free Cloth or Wipes
 Fantastik® All-Purpose Cleaner

K71 - Respond Temporary Monument Assembly (Interior)

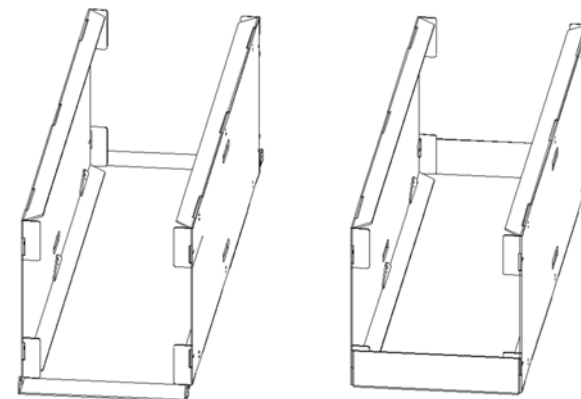
Step 3:
 Slide the side panel tab over the back panel tabs.

Rotate the side panels up 90°. Check to make sure all tabs are fully engaged before rotating.



Step 4:
 Bend the small round tabs on the back panel up 90°.

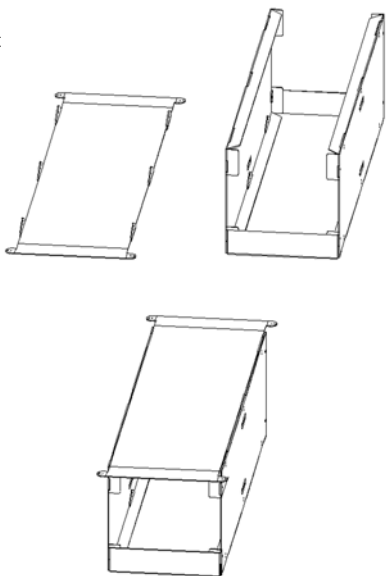
Bend the ends of the back panel up and insert the round tabs into the side panels.



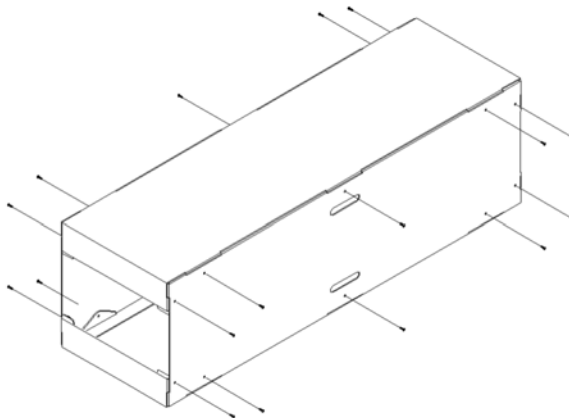
Step 5:
 Bend the triangular tabs of the front panel up 90°. Lift and insert the front panel tabs into the side panels.

Fold small round tabs on front panel down 90°.

Bend the ends of the front panel down and insert the small tabs into the side panels mirroring step 4.

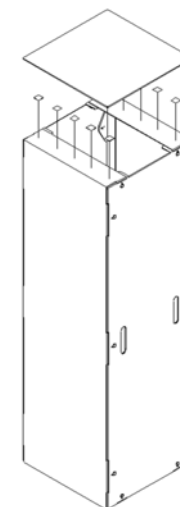


Step 6:
 Insert screws into holes. (The tab must be held in place while inserting screws)



Step 7:
 Place temporary monument in final position and apply top. Remove liners from tape and apply top making sure top is aligned with monument.

Remove finger prints using recommended cleaning materials.



K71 Hardware Kit Includes:

#8x3/4" Sheet Metal Screw (20) 900-90356A267
 Post, U-Channel (REF)
 Post MTG. Hardware (REF)

Materials/Tools Required:

Phillips Head Screwdriver / Drill with Phillips Head bit

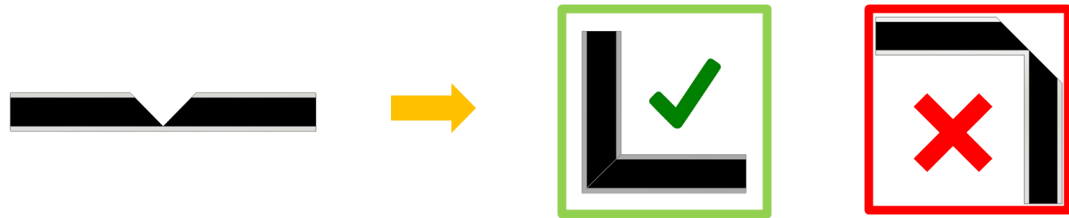
Recommended Cleaning Materials:

Lint Free Cloth or Wipes
 Fantastik® All-Purpose Cleaner

**K71 - Respond Temporary Monument
 Assembly (Exterior)**

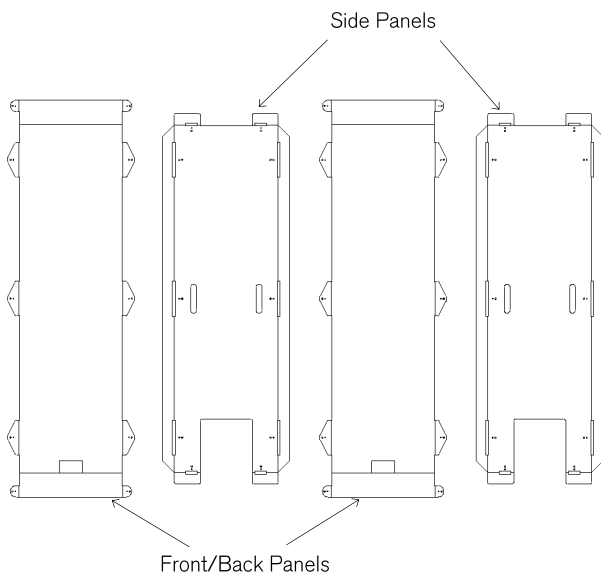
WARNING: The ACM panels and tabs will fracture if bent more than once. Please read through assembly instructions prior to bending any tabs.

Each bend in this assembly is an inward bend. ACM Panels will fracture if bent more than once. Please note the difference as shown below:



Step 1:

Lay all panels flat on the ground, print side down. Be careful not to bend any tabs.

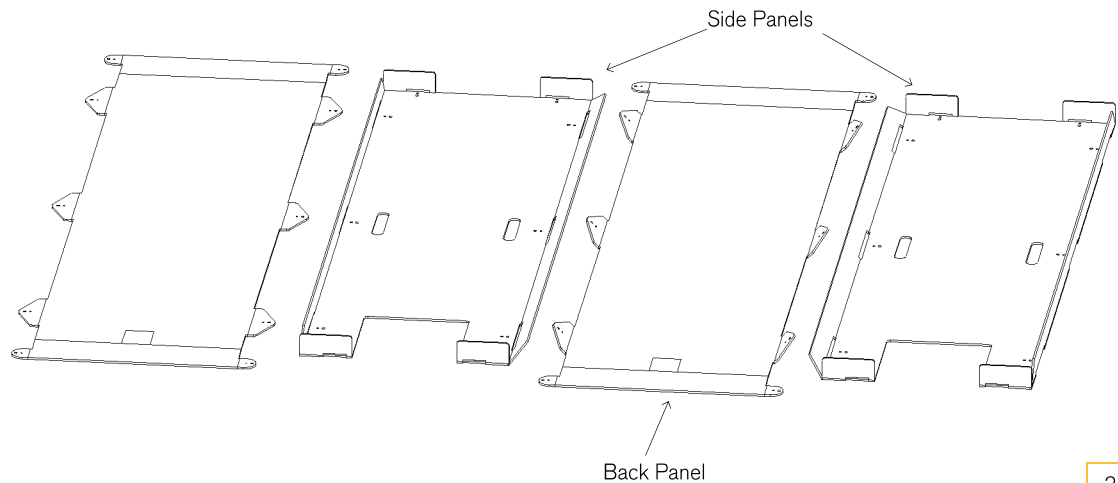


Step 2:

On the back panel, fold the triangular tabs up 45°.

On the side panels, locate the long tabs closest to the back panel, and bend 45°.

Locate remaining tabs on the side panels, bend 90°. Do NOT bend other tabs on the front/back panels.





K71 - Respond Temporary Monument Assembly (Exterior)

K71 Hardware Kit Includes:

#8x3/4" Sheet Metal Screw (20) 900-90356A267
 Post, U-Channel (REF)
 Post MTG. Hardware (REF)

Materials/Tools Required:

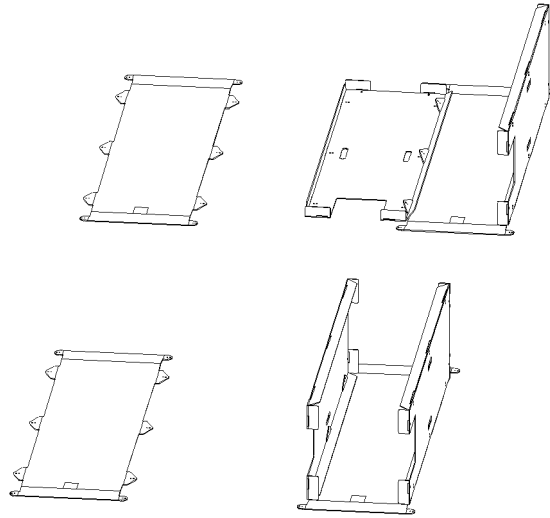
Phillips Head Screwdriver / Drill with Phillips Head bit

Recommended Cleaning Materials:

Lint Free Cloth or Wipes
 Fantastik® All-Purpose Cleaner

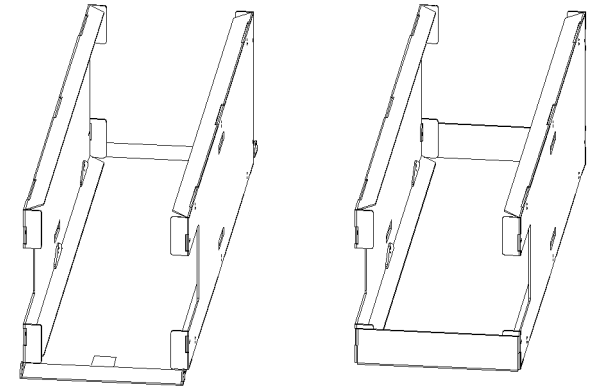
Step 3:
 Slide the side panel tab over the back panel tabs.

Rotate the side panels up 90°. Check to make sure all tabs are fully engaged before rotating.



Step 4:
 Bend the small round tabs on the back panel up 90°.

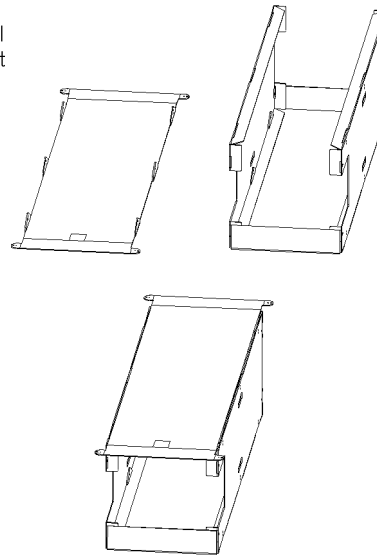
Bend the ends of the back panel up and insert the round tabs into the side panels.



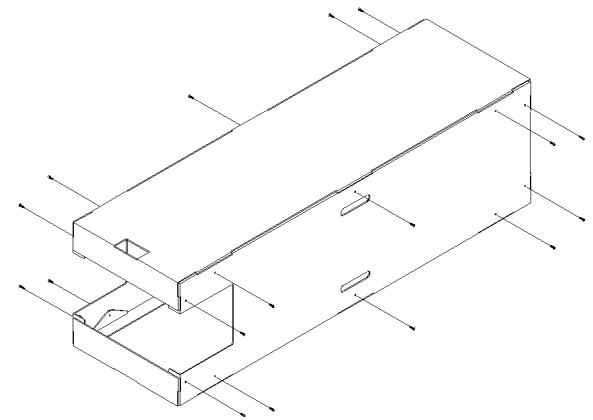
Step 5:
 Bend the triangular tabs of the front panel up 90°. Lift and insert the front panel tabs into the side panels.

Fold small round tabs on front panel down 90°.

Bend the ends of the front panel down and insert the small tabs into the side panels mirroring step 4.



Step 6:
 Insert screws into pre drilled holes. (The tabs must be held in place while inserting screws)





11601 Maple Ridge Rd, Medina, NY, 14103
P 800.528.1398 F 585.798.8889
www.takeform.net

K71 Hardware Kit Includes:

#8x3/4" Sheet Metal Screw (20) 900-90356A267
Post, U-Channel (REF)
Post MTG. Hardware (REF)

Materials/Tools Required:

Phillips Head Screwdriver / Drill with Phillips Head bit

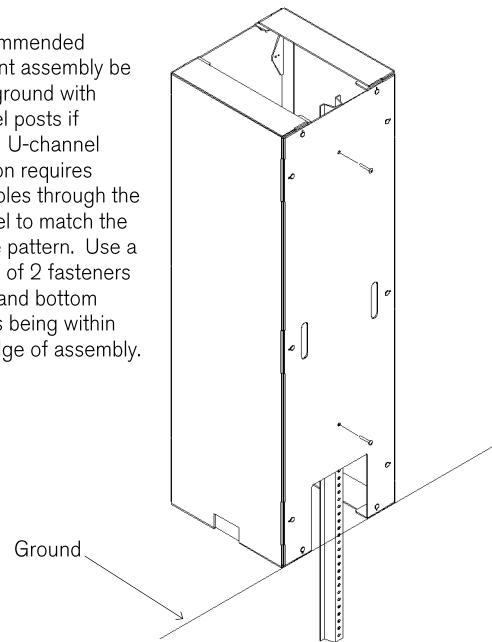
Recommended Cleaning Materials:

Lint Free Cloth or Wipes
Fantastik® All-Purpose Cleaner

**K71 - Respond Temporary Monument
Assembly (Exterior)**

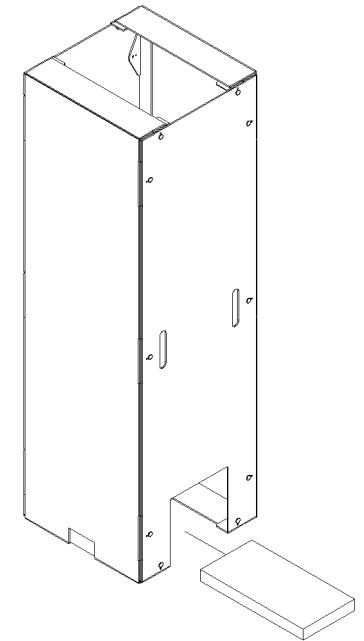
Step 7a:

It is recommended monument assembly be fixed to ground with u-channel posts if possible. U-channel installation requires drilling holes through the side panel to match the post hole pattern. Use a minimum of 2 fasteners with top and bottom fasteners being within 12" of edge of assembly.



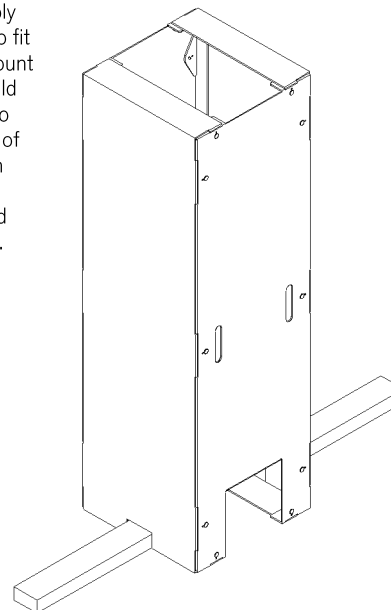
Step 7b:

Monument assembly can be weighted with cinderblocks if unable to mount to posts. We recommend four 30 pound cinderblocks or any combination of weight that equals 120 pounds to withstand up to 40mph wind loads. Weight must be evenly distributed across base of monument. Please note standard base opening dimensions are 8" w x 9" h.



Step 7c:

Monument assembly has holes cut out to fit 2x4 if unable to mount to posts. 2x4 should then be weighted to prevent movement of the monument with sandbags or other weights determined acceptable by user.



Step 8:

Place temporary monument in final position and remove finger prints/debris using recommended cleaning materials.

