

K29 Hardware Kit Includes:

Lead Anchor, 6-8x1.5"	(1) 900-50994
#10x1.5" Sheet Metal Screw	(1) 900-01029
Mini Gripper, 1/8-IP	(2) 900-01086
Mounting Coupler, 1/8-IP	(1) 900-01087
Stem Adapter, 3/8-16x1/8-IP	(1) 900-01088
Cable, SS, 1/16x16' LG	(1) 900-01090
Cap, 1/8-IP	(1) 900-01091
ABS Washer, White, 3/8x1.5"	(2) 900-01003
3/8-16 Drywall Toggle	(1) 900-01005 *
3/8-16 Hex Nut	(1) 900-01007
Swage Sleeve, 1/16x 3/8	(1) 900-43380
Side Clamp, 3/8	(AR) 900-SCA1610
Hex Key, 2.5mm	(1) 900-82789
Hex Key, 3mm	(1) 900-82791

*Above hardware not used for Drop Ceiling Option

Materials/Tools Required:

- Pencil
- Tape Measure
- Level
- Hammer
- Cable Cutter
- Crimp Tool or Pliers (to crimp Swage Sleeve)
- Drill
- Phillips head bit
- Self-Leveling Line Laser Level/Plum Bob
- 1/2" drill bit (for ceiling holes, see Step 2)
- 1/8" or 1/4" drill bit (for floor holes, see Step 2)
- Ladder/Lift/Scaffold
- Superstrut Hardware (see Step 3 and Step 7 for instructions, see Page 3 for example building structure configurations and respective hardware requirements)

Recommended Cleaning Materials:

Lint Free Non-abrasive Cloth or Wipes
 Fantastik® All-Purpose Heavy Duty Cleaner (Formula 409®, Windex®, Glass Plus®, Virex Tb or liquid detergent with water solution mixture are also acceptable cleaning materials)

Cleaning Warning: DO NOT scrub when cleaning a Moxie panel and DO NOT use ammonia or abrasive materials to clean a panel.

K29 - MOXIE—Floor to Ceiling Cable Mount Installation (Drop Ceiling Option), Page 1 of 7

See pages 6 and 7 for drywall ceiling option

Step 1:

Measure panel width based on install position. Add 3/8" to this width measurement. This determines the mounting hole center to center distance between cable and hardware mounted to floor and ceiling.

Step 2:

At desired mounting location mark ceiling tile with pencil where hardware will be installed, using mounting hole center to center distance determined from Step 1. Repeat mounting location marking on floor, ensuring each floor to ceiling vertical connection point center locations are aligned using a self-leveling laser level or plum bob.

For ceiling tile, use 1/2" bit to drill holes on marks.

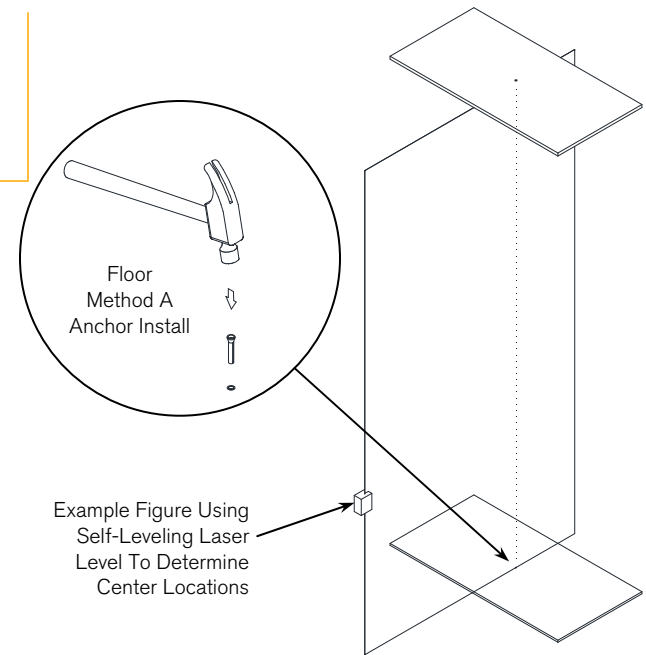
For floor, drill holes on marks using method A or B, depending on floor conditions as noted below:

- A. For concrete/masonry installation, drill 1/4" diameter holes 1-1/2" deep. Insert lead anchors firmly into holes and drive remaining head of anchors in using hammer to seat flush.
- B. For solid wood installation, drill 1/8" pilot holes 1" deep.

Step 3:

Remove ceiling tile above mounting location determined from Step 2 and examine ceiling to determine building structure conditions. Typically, one of three configurations will exist based on locations of structural beams and whether air duct obstacles are present. See Pages 3-5 for example configurations and hardware requirements for each configuration. Once this has been determined, the installer will have to purchase the necessary hardware at a local hardware store (e.g., Home Depot or Lowe's) in order to complete Step 7 for cable tie down to superstrut.

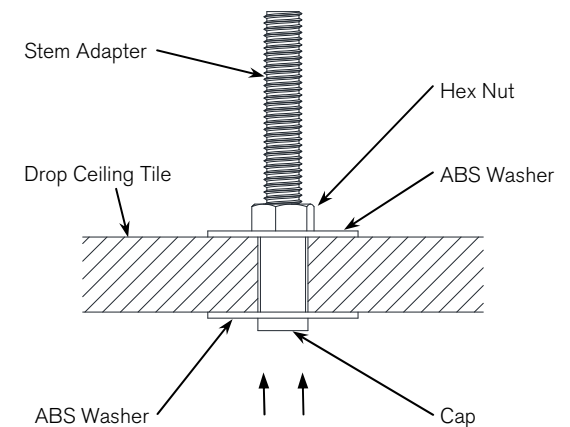
For superstrut installation to existing structural beams, superstrut must be positioned in ceiling directly over mounting locations from Step 2. Failure to do so may result in damage to ceiling tile after Moxie panel installation, as noted in Step 7.



Example Figure Using Self-Leveling Laser Level To Determine Center Locations

Step 4:

Assemble white ABS washer and cap to female end of stem adapter. Insert this assembly up into ceiling tile holes. Add ABS washer and hex nut on top, hand tightening hex nut to fit snug to ceiling tile.



K29 Hardware Kit Includes:

- Lead Anchor, 6-8x1.5" (1) 900-50994
- #10x1.5" Sheet Metal Screw (1) 900-01029
- Mini Gripper, 1/8-IP (2) 900-01086
- Mounting Coupler, 1/8-IP (1) 900-01087
- Stem Adapter, 3/8-16x1/8-IP (1) 900-01088
- Cable, SS, 1/16x16' LG (1) 900-01090
- Cap, 1/8-IP (1) 900-01091
- ABS Washer, White, 3/8x1.5" (2) 900-01003
- 3/8-16 Drywall Toggle (1) 900-01005 *
- 3/8-16 Hex Nut (1) 900-01007
- Swage Sleeve, 1/16x 3/8 (1) 900-43380
- Side Clamp, 3/8 (AR) 900-SCA1610
- Hex Key, 2.5mm (1) 900-82789
- Hex Key, 3mm (1) 900-82791

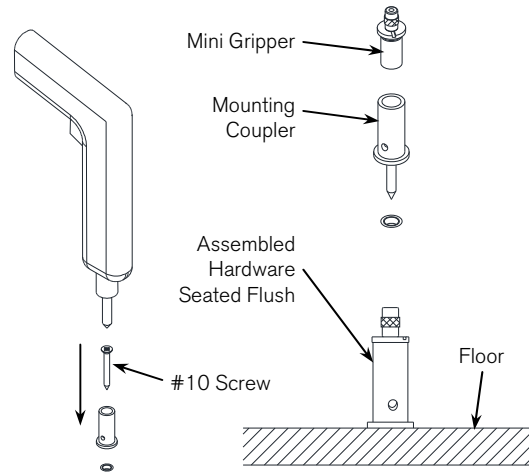
*Above hardware not used for Drop Ceiling Option

K29 - MOXIE—Floor to Ceiling Cable Mount Installation (Drop Ceiling Option), Page 2 of 7

See pages 6 and 7 for drywall ceiling option

Step 5:

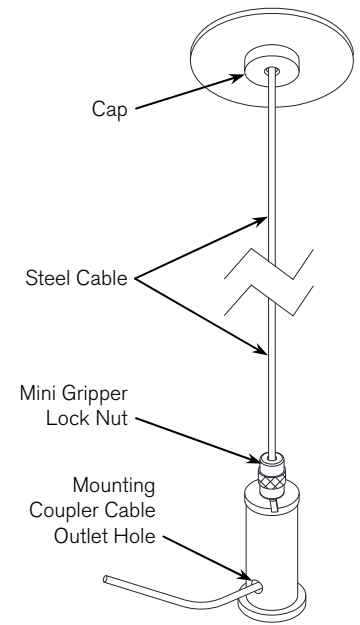
Using drill with Phillips head bit, screw #10x1.5" sheet metal screw through mounting coupler and into floor or anchor per hole location and floor condition from Step 2. Ensure mounting coupler is secure and seated flush to floor. Assemble mini gripper to mounting coupler.



Step 6:

Loosen mini gripper lock nut and feed one end of steel cable through mini gripper so that 1 to 1.5 feet of cable exits through outlet hole of mounting coupler. Feed other end of cable up through hardware (from Step 4) mounted in ceiling tile. From above ceiling tile, pull cable taut from floor to ceiling, then secure it to superstrut as outlined in Step 7.

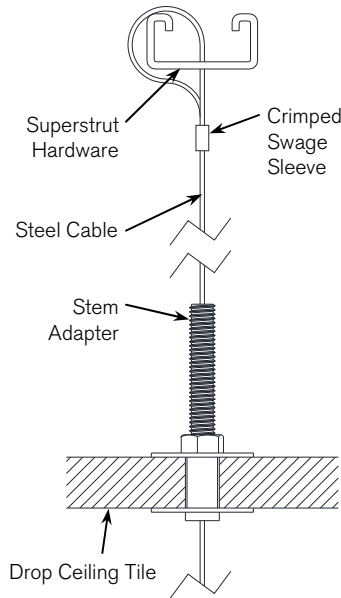
Note: The mini gripper will not allow cable to release as it is being fed in. Cable can only be released by loosening gripper lock nut and pushing it inward as cable is pulled back out.



Step 7:

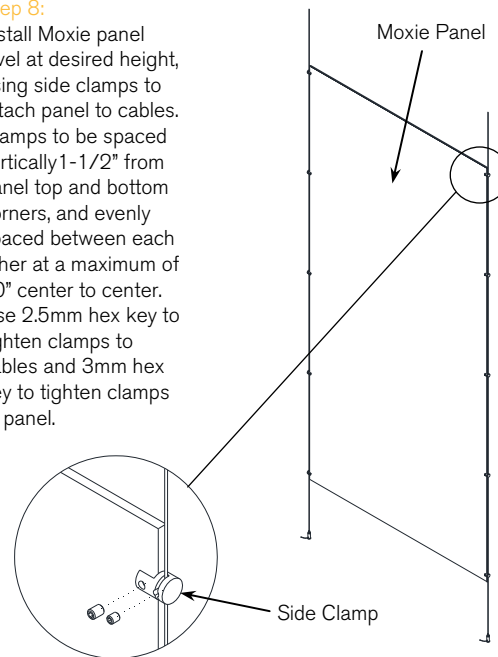
Cable above ceiling tile MUST BE looped around superstrut hardware mounted to existing building structure and crimped using included swage sleeve. This is required for safety purposes, as drop ceiling cannot sustain the Moxie panel load.

Note: Prior to tie down of cable to superstrut hardware, ensure cable is vertical from floor to superstrut connection point. If cable is angled when exiting stem adapter to superstrut, it may cause damage to ceiling tile after the Moxie panel is installed.



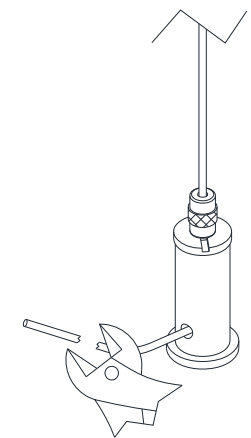
Step 8:

Install Moxie panel level at desired height, using side clamps to attach panel to cables. Clamps to be spaced vertically 1-1/2" from panel top and bottom corners, and evenly spaced between each other at a maximum of 30" center to center. Use 2.5mm hex key to tighten clamps to cables and 3mm hex key to tighten clamps to panel.



Step 9:

After panel is assembled to cables using side clamps, check cable again for tautness as cable may have stretched slightly from additional weight of panel. Adjust cable accordingly if necessary. After ensuring cable is taut use cable cutter to snip off visible excess cable from floor hardware outlet hole, leaving approximately 1" remaining for future adjustments.



Step 10:

Remove finger prints from Moxie panel face and edges using recommended cleaning materials listed on Page 1.

Superstrut Hardware Requirements per Moxie Panel:

Note: Hardware to be purchased by installer based on existing building structure conditions. Figure A is the preferred superstrut hardware attachment method, followed by Figure B, as conditions allow. Figure C should only be necessary in extreme cases.

Figure A:

- Superstrut Steel Channel 1-5/8"x13/16"x10' (1)
 Home Depot sku # 863322
 Lowe's item # 20281
- Superstrut U-Bolt Beam Clamp (2)
 Home Depot sku # 236521
 Lowe's item # 45684

Figure B:

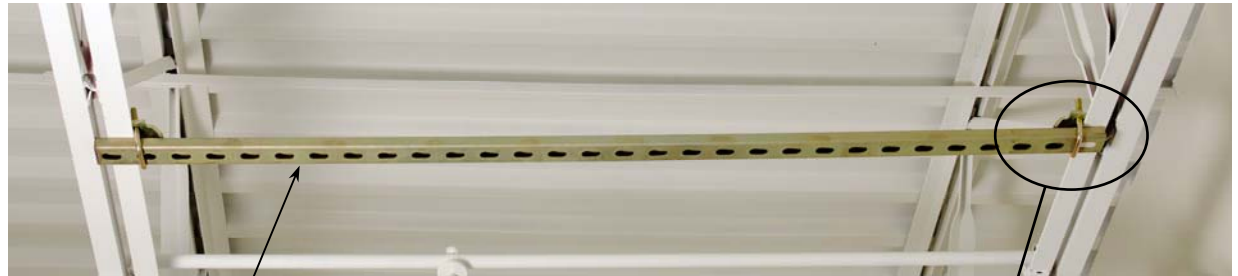
- Superstrut Steel Channel 1-5/8"x13/16"x10' (1)
 Home Depot sku # 863322
 Lowe's item # 20281
- Threaded Rod, 3/8-16x36", Zinc-Plated Steel (2)
 Home Depot sku # 671223
 Lowe's item # 69888
- Nut, Hex, 3/18-16, Zinc-Plated Steel (8)
 Home Depot sku # 328674 (pack of 25)
 Lowe's item # 135800 (pack of 25)
- Washer, Flat, Fender, 3/8x1-1/4OD, Steel (8)
 Home Depot sku # 207993 (pack of 2)
 Lowe's item # 136659 (pack of 4)

Figure C:

- Superstrut Steel Channel 1-5/8"x13/16"x10' (2)
 Home Depot sku # 863322
 Lowe's item # 20281
- Superstrut U-Bolt Beam Clamp (2)
 Home Depot sku # 236521
 Lowe's item # 45684
- Threaded Rod, 3/8-16x36", Zinc-Plated Steel (2)
 Home Depot sku # 671223
 Lowe's item # 69888
- Nut, Hex, 3/18-16, Zinc-Plated Steel (8)
 Home Depot sku # 328674 (pack of 25)
 Lowe's item # 135800 (pack of 25)
- Washer, Flat, 3/8, Zinc-Plated Steel (8)
 Home Depot sku # 637009 (pack of 8)
 Lowe's item # 58126 (pack of 10)

Figure A: Superstrut and U-Bolt Beam Clamp

Install superstrut securely, as described in Step 3 (page 1), between two existing building structure beams using beam clamps. This will be used to tie off steel cable, as described in Step 7 (page 2).



Superstrut



Beam Clamp

Superstrut Hardware Requirements per Moxie Panel:

Note: Hardware to be purchased by installer based on existing building structure conditions. Figure A is the preferred superstrut hardware attachment method, followed by Figure B, as conditions allow. Figure C should only be necessary in extreme cases.

Figure A:

- Superstrut Steel Channel 1-5/8"x13/16"x10' (1)
 Home Depot sku # 863322
 Lowe's item # 20281
- Superstrut U-Bolt Beam Clamp (2)
 Home Depot sku # 236521
 Lowe's item # 45684

Figure B:

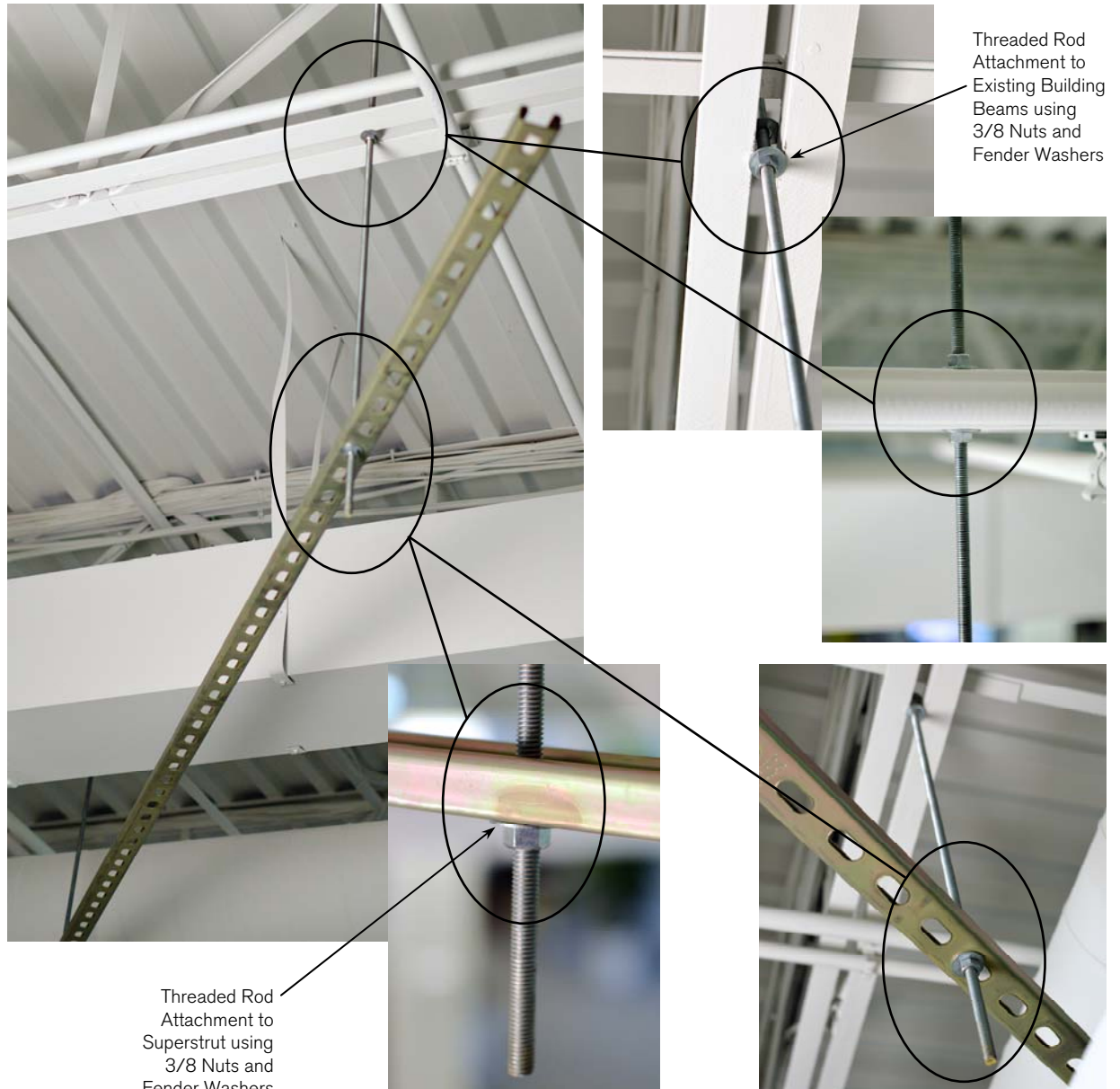
- Superstrut Steel Channel 1-5/8"x13/16"x10' (1)
 Home Depot sku # 863322
 Lowe's item # 20281
- Threaded Rod, 3/8-16x36", Zinc-Plated Steel (2)
 Home Depot sku # 671223
 Lowe's item # 69888
- Nut, Hex, 3/18-16, Zinc-Plated Steel (8)
 Home Depot sku # 328674 (pack of 25)
 Lowe's item # 135800 (pack of 25)
- Washer, Flat, Fender, 3/8x1-1/4OD, Steel (8)
 Home Depot sku # 207993 (pack of 2)
 Lowe's item # 136659 (pack of 4)

Figure C:

- Superstrut Steel Channel 1-5/8"x13/16"x10' (2)
 Home Depot sku # 863322
 Lowe's item # 20281
- Superstrut U-Bolt Beam Clamp (2)
 Home Depot sku # 236521
 Lowe's item # 45684
- Threaded Rod, 3/8-16x36", Zinc-Plated Steel (2)
 Home Depot sku # 671223
 Lowe's item # 69888
- Nut, Hex, 3/18-16, Zinc-Plated Steel (8)
 Home Depot sku # 328674 (pack of 25)
 Lowe's item # 135800 (pack of 25)
- Washer, Flat, 3/8, Zinc-Plated Steel (8)
 Home Depot sku # 637009 (pack of 8)
 Lowe's item # 58126 (pack of 10)

Figure B: Superstrut with Threaded Rods For Air Ducts Obstacle

Install superstrut securely below air duct obstacles, as described in Step 3 (page 1), between two existing building structure beams using 3/8 threaded rods, nuts and fender washers. This will be used to tie off steel cable, as described in Step 7 (page 2).



Threaded Rod Attachment to Existing Building Beams using 3/8 Nuts and Fender Washers

Threaded Rod Attachment to Superstrut using 3/8 Nuts and Fender Washers

Superstrut Hardware Requirements per Moxie Panel:

Note: Hardware to be purchased by installer based on existing building structure conditions. Figure A is the preferred superstrut hardware attachment method, followed by Figure B, as conditions allow. Figure C should only be necessary in extreme cases.

Figure A:

- Superstrut Steel Channel 1-5/8"x13/16"x10' (1)
 Home Depot sku # 863322
 Lowe's item # 20281
- Superstrut U-Bolt Beam Clamp (2)
 Home Depot sku # 236521
 Lowe's item # 45684

Figure B:

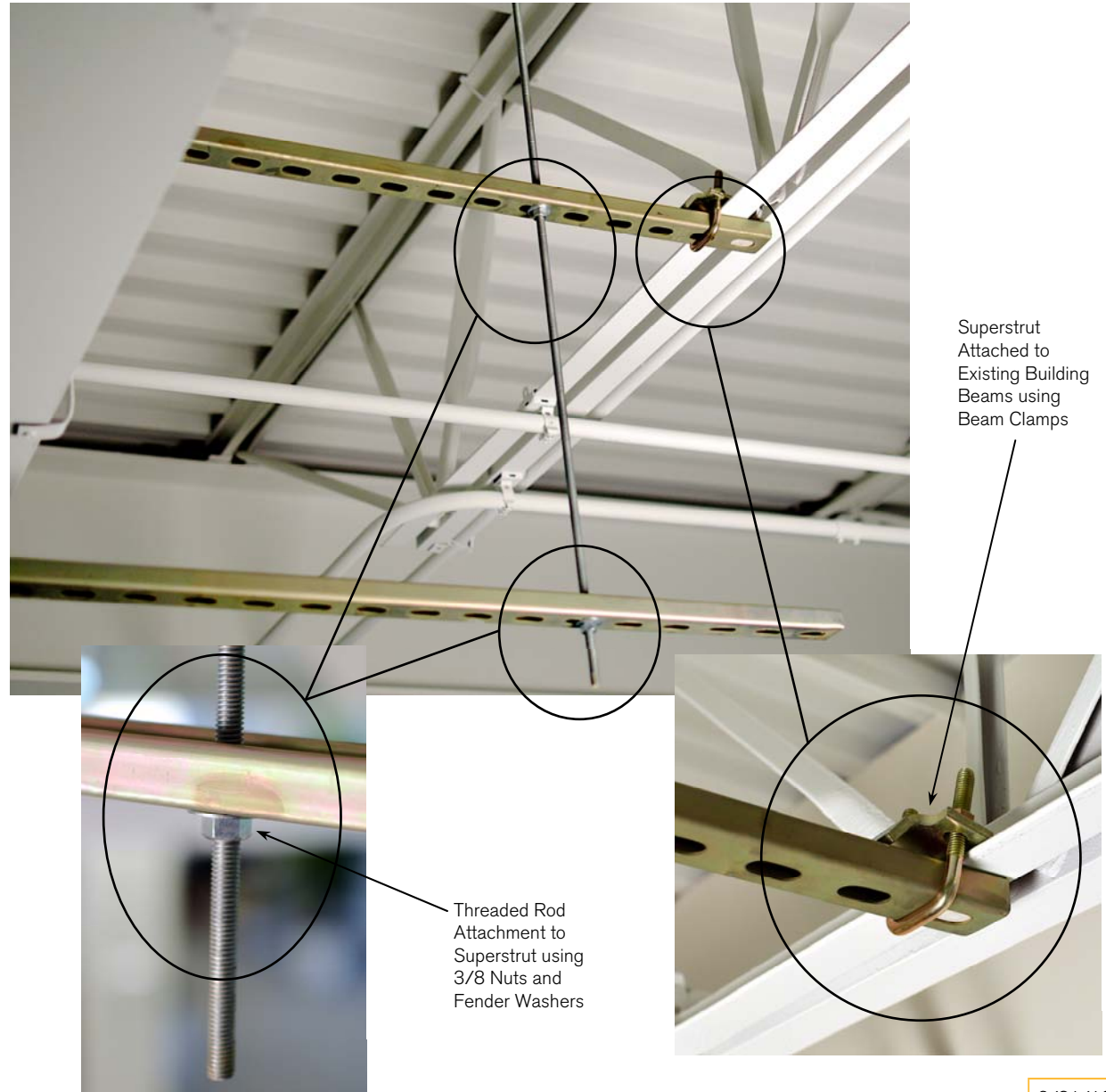
- Superstrut Steel Channel 1-5/8"x13/16"x10' (1)
 Home Depot sku # 863322
 Lowe's item # 20281
- Threaded Rod, 3/8-16x36", Zinc-Plated Steel (2)
 Home Depot sku # 671223
 Lowe's item # 69888
- Nut, Hex, 3/18-16, Zinc-Plated Steel (8)
 Home Depot sku # 328674 (pack of 25)
 Lowe's item # 135800 (pack of 25)
- Washer, Flat, Fender, 3/8x1-1/4OD, Steel (8)
 Home Depot sku # 207993 (pack of 2)
 Lowe's item # 136659 (pack of 4)

Figure C:

- Superstrut Steel Channel 1-5/8"x13/16"x10' (2)
 Home Depot sku # 863322
 Lowe's item # 20281
- Superstrut U-Bolt Beam Clamp (2)
 Home Depot sku # 236521
 Lowe's item # 45684
- Threaded Rod, 3/8-16x36", Zinc-Plated Steel (2)
 Home Depot sku # 671223
 Lowe's item # 69888
- Nut, Hex, 3/18-16, Zinc-Plated Steel (8)
 Home Depot sku # 328674 (pack of 25)
 Lowe's item # 135800 (pack of 25)
- Washer, Flat, 3/8, Zinc-Plated Steel (8)
 Home Depot sku # 637009 (pack of 8)
 Lowe's item # 58126 (pack of 10)

Figure C: Superstrut and U-Bolt Beam Clamp with Threaded Rods For Air Ducts Obstacle

Install superstrut securely below air duct obstacles, as described in Step 3 (page 1), between two existing building structure beams using beam clamps. Install second superstrut below air ducts using 3/8 threaded rods, washers and nuts. This will be used to tie off steel cable, as described in Step 7 (page 2).



K29 Hardware Kit Includes:

- Lead Anchor, 6-8x1.5" (1) 900-50994
- #10x1.5" Sheet Metal Screw (1) 900-01029
- Mini Gripper, 1/8-IP (2) 900-01086
- Mounting Coupler, 1/8-IP (1) 900-01087
- Stem Adapter, 3/8-16x1/8-IP (1) 900-01088
- Cable, SS, 1/16x16' LG (1) 900-01090
- Cap, 1/8-IP (1) 900-01091 *
- ABS Washer, White, 3/8x1.5" (2) 900-01003
- 3/8-16 Drywall Toggle (1) 900-01005
- 3/8-16 Hex Nut (1) 900-01007 *
- Swage Sleeve, 1/16x 3/8 (1) 900-43380
- Side Clamp, 3/8 (AR) 900-SCA1610
- Hex Key, 2.5mm (1) 900-82789
- Hex Key, 3mm (1) 900-82791

*Above hardware not used for Drywall Ceiling Option

Materials/Tools Required:

- Pencil
- Tape Measure
- Level
- Hammer
- Cable Cutter
- Crimp Tool or Pliers (to crimp Swage Sleeve)
- Drill
- Phillips head bit
- Self-Leveling Line Laser Level/Plum Bob
- 3/4" drill bit (for ceiling holes, see Step 2)
- 1/8" or 1/4" drill bit (for floor holes, see Step 2)
- Ladder/Lift/Scaffold

Recommended Cleaning Materials:

Lint Free Non-abrasive Cloth or Wipes
 Fantastik® All-Purpose Heavy Duty Cleaner
 (Formula 409®, Windex®, Glass Plus®, Virex Tb or liquid detergent with water solution mixture are also acceptable cleaning materials)

Cleaning Warning: DO NOT scrub when cleaning a Moxie panel and DO NOT use ammonia or abrasive materials to clean a panel.

K29 - MOXIE—Floor to Ceiling Cable Mount Installation (Drywall Ceiling Option), Page 6 of 7
 See pages 1-5 for drop ceiling option

Step 1:

Measure panel width based on install position. Add 3/8" to this width measurement. This determines the mounting hole center to center distance between cable and hardware mounted to floor and ceiling.

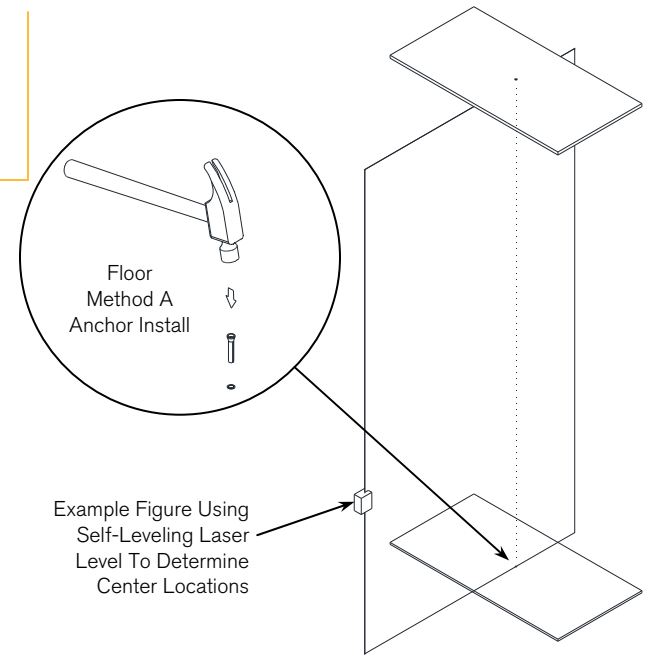
Step 2:

At desired mounting location mark ceiling with pencil where hardware will be installed, using mounting hole center to center distance determined from Step 1. Repeat mounting location marking on floor, ensuring each floor to ceiling vertical connection point center locations are aligned using a self-leveling laser level or plum bob.

For drywall ceiling, use 3/4" bit to drill holes on marks.

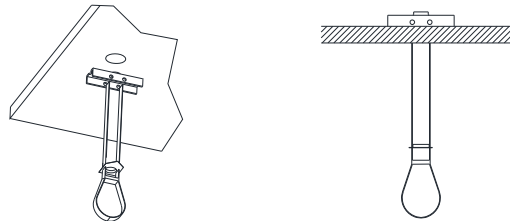
For floor, drill holes on marks using method A or B, depending on floor conditions as noted below:

- A. For concrete/masonry installation, drill 1/4" diameter holes 1-1/2" deep. Insert lead anchors firmly into holes and drive remaining head of anchors in using hammer to seat flush.
- B. For solid wood installation, drill 1/8" pilot holes 1" deep.



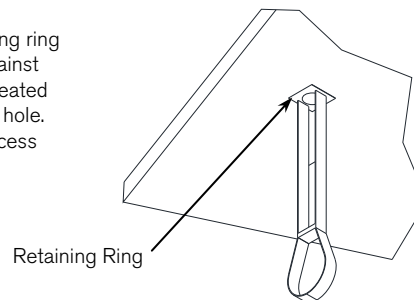
Step 3:

Insert drywall toggles into ceiling holes. Pull on strap so toggle is snug to top of drywall.



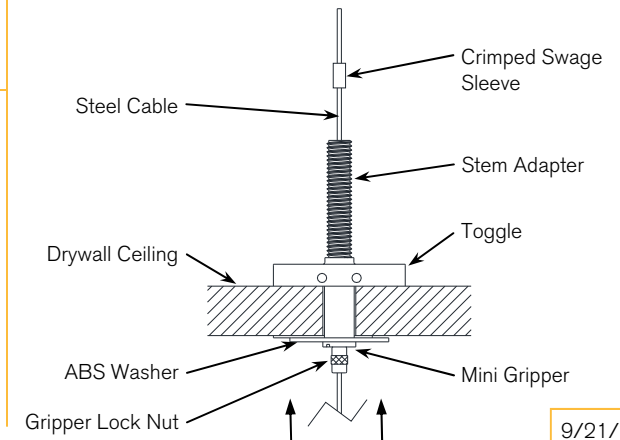
Step 4:

Cinch retaining ring until tight against ceiling and seated in each 3/4" hole. Break off excess plastic.



Step 5:

Assemble ABS washer and mini gripper to stem adapter. Loosen lock nut on mini gripper (do not remove) and feed steel cable through stem adapter, leaving 2" to 3" on opposite end. Thread cable into swage sleeve and crimp sleeve (Note: this stops cable from slipping through stem adapter, preventing Moxie panel from falling should the hardware get damaged or vandalized). Thread this assembly into toggle until ABS washer is snug to drywall ceiling. Tighten gripper lock nut. Proceed to Step 6 on Page 4.



K29 Hardware Kit Includes:

- Lead Anchor, 6-8x1.5" (1) 900-50994
- #10x1.5" Sheet Metal Screw (1) 900-01029
- Mini Gripper, 1/8-IP (2) 900-01086
- Mounting Coupler, 1/8-IP (1) 900-01087
- Stem Adapter, 3/8-16x1/8-IP (1) 900-01088
- Cable, SS, 1/16x16' LG (1) 900-01090
- Cap, 1/8-IP (1) 900-01091 *
- ABS Washer, White, 3/8x1.5" (2) 900-01003
- 3/8-16 Drywall Toggle (1) 900-01005
- 3/8-16 Hex Nut (1) 900-01007 *
- Swage Sleeve, 1/16x 3/8 (1) 900-43380
- Side Clamp, 3/8 (AR) 900-SCA1610
- Hex Key, 2.5mm (1) 900-82789
- Hex Key, 3mm (1) 900-82791

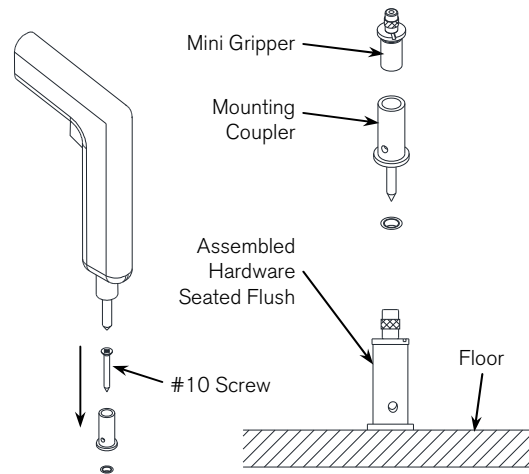
*Above hardware not used for Drywall Ceiling Option

K29 - MOXIE—Floor to Ceiling Cable Mount Installation (Drywall Ceiling Option), Page 7 of 7

See pages 1-5 for drop ceiling option

Step 6:

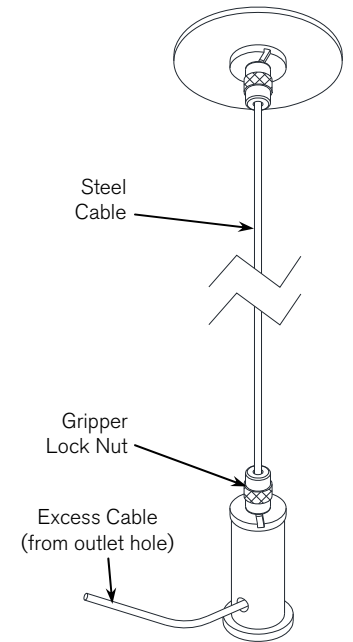
Using drill with Phillips head bit, screw #10x1.5" sheet metal screw through mounting coupler and into floor or anchor per hole location and floor condition from Step 2. Ensure mounting coupler is secure and seated flush to floor. Assemble mini gripper to mounting coupler.



Step 7:

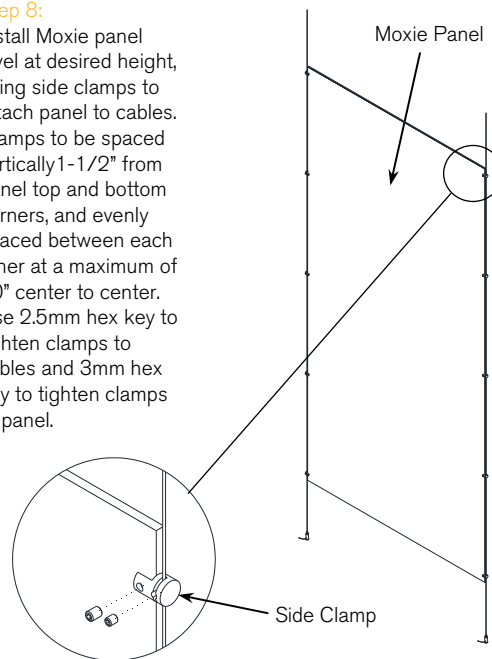
Loosen gripper lock nut on end of mini gripper (do not remove) at floor. Feed steel cable through so that a minimum of 2 feet exits outlet hole of floor hardware. Pull cable until it is taut between floor and ceiling connections, then hand tighten gripper lock nut.

Note: The mini gripper will not allow cable to release as it is being fed in. Cable can only be released by loosening gripper lock nut and pushing it inward as cable is pulled back out.



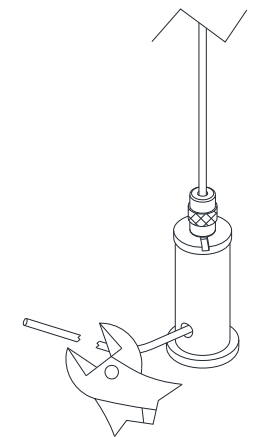
Step 8:

Install Moxie panel level at desired height, using side clamps to attach panel to cables. Clamps to be spaced vertically 1-1/2" from panel top and bottom corners, and evenly spaced between each other at a maximum of 30" center to center. Use 2.5mm hex key to tighten clamps to cables and 3mm hex key to tighten clamps to panel.



Step 9:

After panel is assembled to cables using side clamps, check cable again for tautness as cable may have stretched slightly from additional weight of panel. Adjust cable accordingly if necessary. After ensuring cable is taut use cable cutter to snip off visible excess cable from floor hardware outlet hole, leaving approximately 1" remaining for future adjustments.



Step 10:

Remove finger prints from Moxie panel face and edges using recommended cleaning materials listed on Page 4.