

**K49 Hardware Kit Includes:**

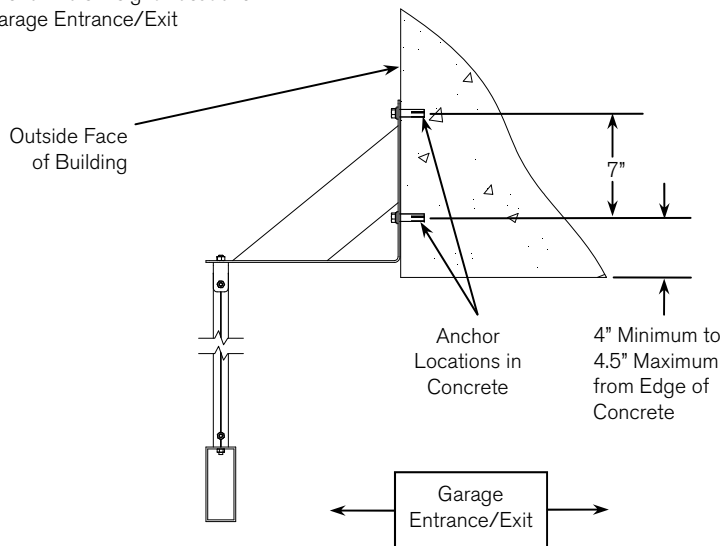
- Aluminum Post, 1x1x48" (2) 350-0420-48P
- Bracket, Lower, Inside (2) 900-01094
- Rubber Washer, .69 ODx.29 ID (4) 900-90130A040
- 1/4-20x5/8" Machine Screw (2) 900-91772A539
- 1/4-20 Lock Nut (6) 900-91831A029
- 1/4" Lock Washer (2) 900-92146A029
- 1/4-20x1-1/2" Hex Hd Screw (2) 900-92198A546
- 1/4-20x1-3/4" Hex Hd Screw (2) 900-92198A548
- 3/8-16x1-5/8" Drop-in Anchor (4) 900-01103
- 3/8" Flat Washer (4) 900-92141A031
- 3/8" Lock Washer (4) 900-92146A031
- 3/8-16x3/4" Hex Head Screw (4) 900-92240A622
- 3/8" Anchor Setting Tool \* (REF) 900-01104
- Support Bracket Assembly (2) 900-01109

\*Above tool bagged separately, 1-3 included per job.

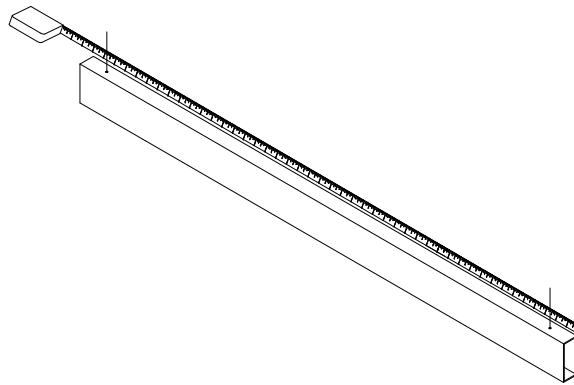
**Materials/Tools Required:**

- Level / Pencil / Tape Measure / Hammer
- 7/16" Wrench / 5/8" Wrench / Adjustable Wrench
- Drill with 1/2" masonry drill bit / 9/32" drill bit
- #3 Phillips Head bit with 2" extension
- Chop Saw with metal blade

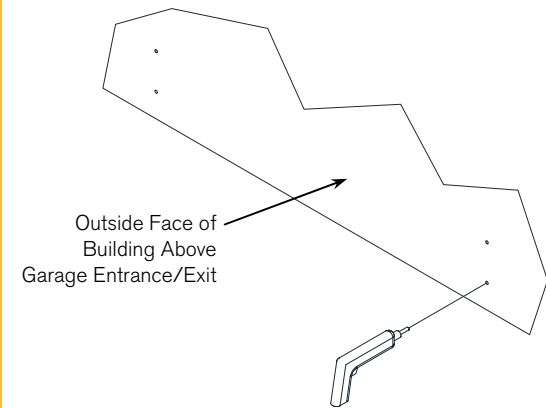
**Figure A:** Cutaway Side View Illustrating Proper Anchor Hole Height Locations in Wall at Garage Entrance/Exit



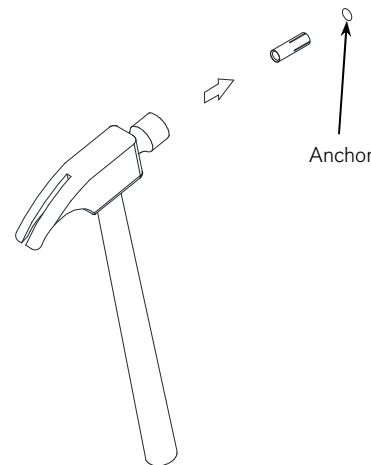
**Step 1:**  
 Measure center to center distance between holes located on top of bang bar. This determines the center to center distance between anchors to be mounted in wall.



**Step 2:**  
 At desired sign mounting location mark wall with pencil, using measurement from Step 1. Refer to Figure A for illustration of proper hole height locations. Use 1/2" diameter masonry bit to drill holes 1-5/8" minimum to 1-11/16" maximum depth in wall on marks.

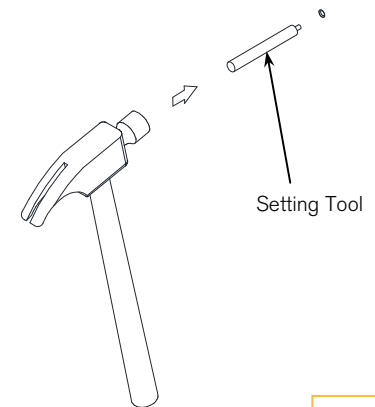


**Step 3a:**  
 Insert anchors firmly into holes in ceiling, threaded end facing out, and tap remaining head of anchors in holes using hammer to seat flush. Proceed to Step 3b.



**Step 3b:**  
 Locate setting tool packaged separately. This is required to properly set anchors into concrete.

For each anchor, insert smaller diameter end of setting tool into threaded end of anchor. While maintaining setting tool in line with anchor, hammer end of setting tool, driving it into anchor until shoulder protrudes 1/4" to 1/8" from end of anchor.



**K49 Hardware Kit Includes:**

Aluminum Post, 1x1x48"	(2)	350-0420-48P
Bracket, Lower, Inside	(2)	900-01094
Rubber Washer, .69 ODx.29 ID	(4)	900-90130A040
1/4-20x5/8" Machine Screw	(2)	900-91772A539
1/4-20 Lock Nut	(6)	900-91831A029
1/4" Lock Washer	(2)	900-92146A029
1/4-20x1-1/2" Hex Hd Screw	(2)	900-92198A546
1/4-20x1-3/4" Hex Hd Screw	(2)	900-92198A548
3/8-16x1-5/8" Drop-in Anchor	(4)	900-01103
3/8" Flat Washer	(4)	900-92141A031
3/8" Lock Washer	(4)	900-92146A031
3/8-16x3/4" Hex Head Screw	(4)	900-92240A622
3/8" Anchor Setting Tool *	(REF)	900-01104
Support Bracket Assembly	(2)	900-01109

\*Above tool bagged separately, 1-3 included per job.

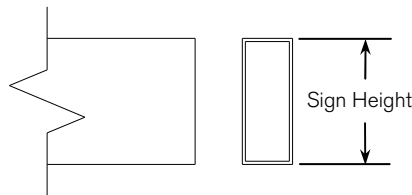
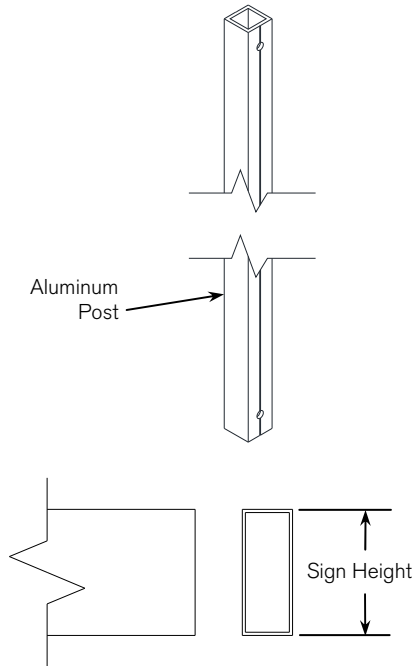
**Materials/Tools Required:**

Level / Pencil / Tape Measure / Hammer  
 7/16" Wrench / 5/8" Wrench / Adjustable Wrench  
 Drill with 1/2" masonry drill bit / 9/32" drill bit  
 #3 Phillips Head bit with 2" extension  
 Chop Saw with metal blade

**Step 5:**

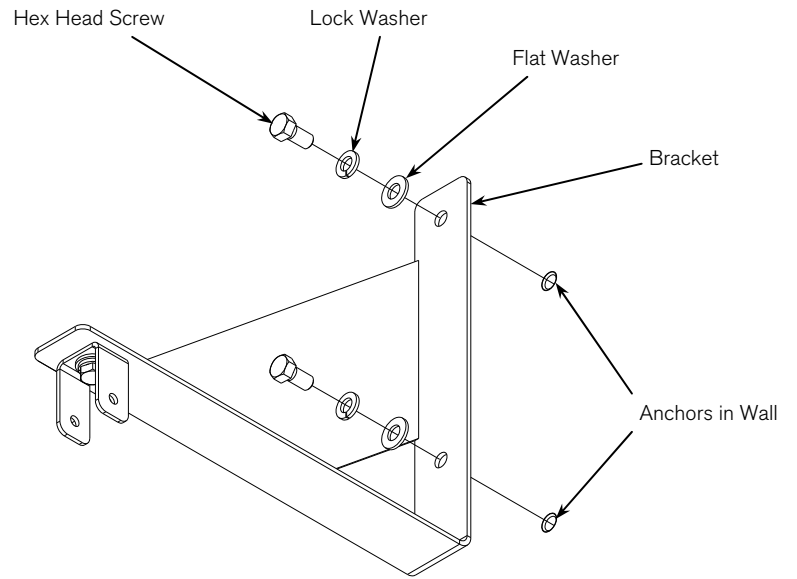
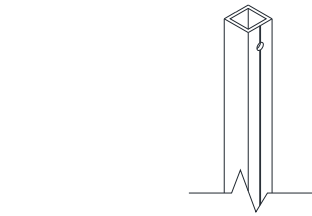
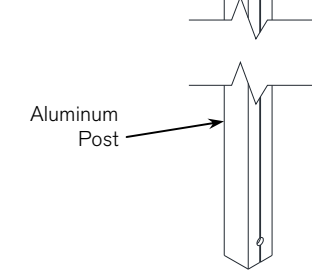
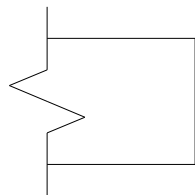
Determine aluminum post length per below in order to cut aluminum posts to length necessary to install bang bar at required height clearance from ground, as determined by architect.

- Measure height from floor to ceiling at two sign mounting points from Steps 2-4. Use shortest height, as measurement may differ between them.
- Measure sign height and add 3/4" to this measurement (Note: 3/4" is approximate distance top of aluminum post will be located below ceiling once installed to upper outside bracket per Step 9).
- Subtract B results from A measurement.
- Subtract the required sign height to floor clearance from C results.
- The value determined from D is the necessary aluminum post length to be cut. This length should be a minimum of 6", up to a maximum of 48".
- Continue to Step 6 for instructions on cutting the aluminum posts.



Aluminum Post

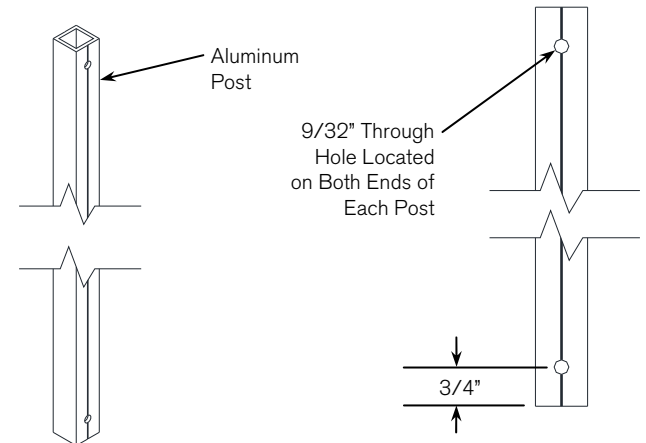
Sign Height



**Step 6:**

Using a chop saw, cut both aluminum posts to length as calculated from Step 5.

Use 9/32" diameter drill bit to drill hole through post, 3/4" from ends of post, on center as shown below.



Aluminum Post

9/32" Through Hole Located on Both Ends of Each Post

3/4"



K49 - TRANSIT — Bracket Post Suspended Bang Bar Installation

**K49 Hardware Kit Includes:**

- Aluminum Post, 1x1x48" (2) 350-0420-48P
- Bracket, Lower, Inside (2) 900-01094
- Rubber Washer, .69 ODx.29 ID (4) 900-90130A040
- 1/4-20x5/8" Machine Screw (2) 900-91772A539
- 1/4-20 Lock Nut (6) 900-91831A029
- 1/4" Lock Washer (2) 900-92146A029
- 1/4-20x1-1/2" Hex Hd Screw (2) 900-92198A546
- 1/4-20x1-3/4" Hex Hd Screw (2) 900-92198A548
- 3/8-16x1-5/8" Drop-in Anchor (4) 900-01103
- 3/8" Flat Washer (4) 900-92141A031
- 3/8" Lock Washer (4) 900-92146A031
- 3/8-16x3/4" Hex Head Screw (4) 900-92240A622
- 3/8" Anchor Setting Tool \* (REF) 900-01104
- Support Bracket Assembly (2) 900-01109

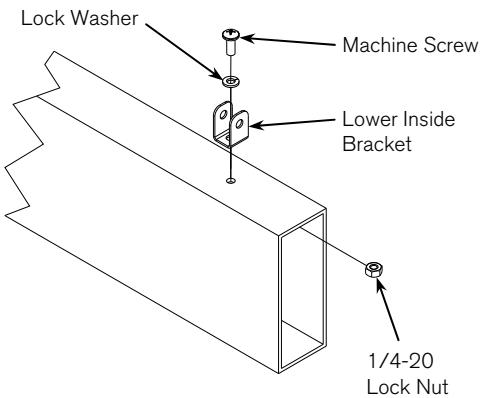
\*Above tool bagged separately, 1-3 included per job.

**Materials/Tools Required:**

- Level / Pencil / Tape Measure / Hammer
- 7/16" Wrench / 5/8" Wrench / Adjustable Wrench
- Drill with 1/2" masonry drill bit / 9/32" drill bit
- #3 Phillips Head bit with 2" extension
- Chop Saw with metal blade

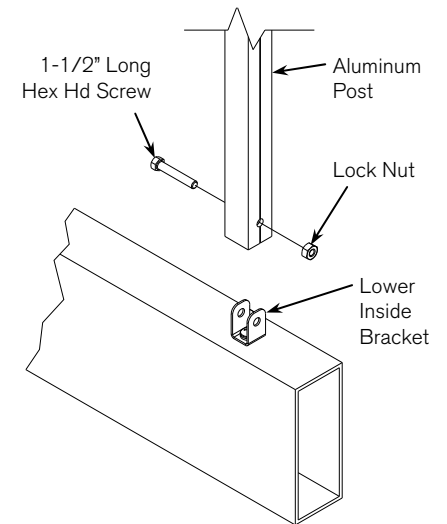
**Step 7:**  
 Mount lower inside bracket flush to top of bang bar using 1/4" lock washer, 1/4-20 x 5/8" long machine screw, and 1/4-20 lock nut. Orient the bracket such that the left and right tabs with holes are facing opposite the direction of the sign face.

Repeat step for mounting of second lower inside bracket flush to top at opposite end of bang bar.

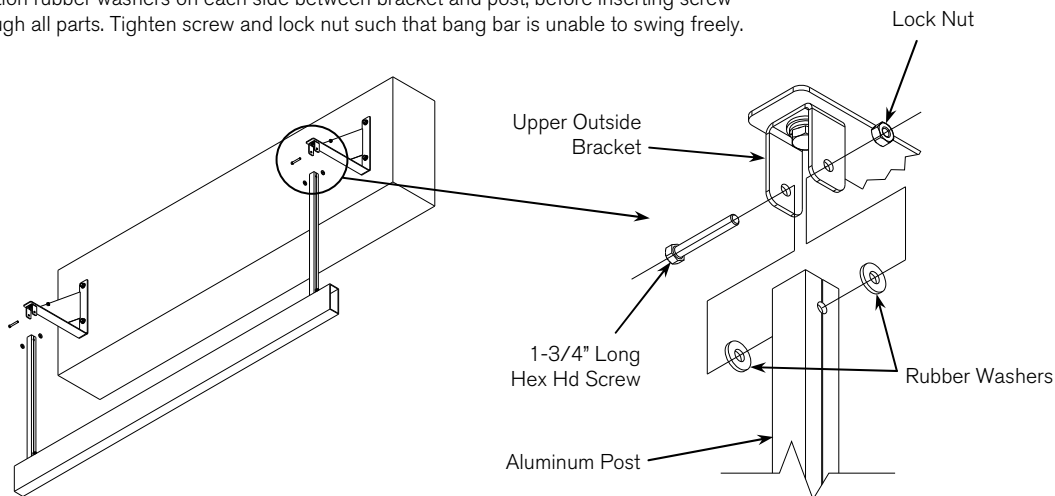


**Step 8:**  
 Attach end of aluminum post to lower inside bracket, seated flush to top of sign, using lock nut and 1/4-20 x 1-1/2" long hex head screw.

Repeat step for mounting of second aluminum post to opposite end of sign.



**Step 9:**  
 Attach top end of aluminum posts to upper outside brackets installed on brackets, using 1/4-20 lock nut, 1/4-20 x 1-3/4" long hex head screw and two rubber washers per post. Position rubber washers on each side between bracket and post, before inserting screw through all parts. Tighten screw and lock nut such that bang bar is unable to swing freely.



**Step 10:**  
 Remove finger prints from bang bar using a lint free cloth and Fantastik® All Purpose Heavy Duty Cleaner or other mild non-abrasive household cleaning agents. DO NOT scrub when cleaning sign faces. DO NOT use ammonia or abrasive materials.

