

**K41 Hardware Kit Includes:**

- Split Bolt, Cable Connector (2) 900-01102
- 3/8-16x1-5/8" Drop-in Anchor (4) 900-01103
- Bracket Assembly, Bang Bar (2) 900-01108
- 3/8" Flat Washer (4) 900-92141A031
- 3/8" Lock Washer (4) 900-92146A031
- 3/8-16x3/4" Hex Head Screw (4) 900-92240A622
- 3/8" Anchor Setting Tool \* (REF) 900-01104
- SS Wire Rope Thimble (2) 900-3868T42

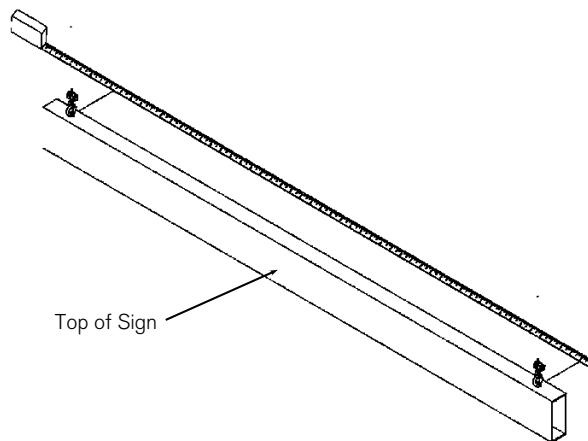
\*Above tool bagged separately, 1-3 included per job.

**Materials/Tools Required:**

- Level / Pencil
- Tape Measure
- Hammer
- 9/16" Wrench
- 5/8" Wrench
- Adjustable Wrench
- Drill with 1/2" masonry drill bit
- Wire Rope Cutter (for 3/32" SS Cable)

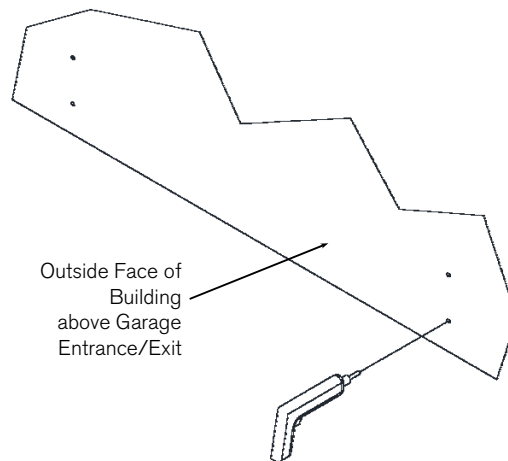
**Step 1:**

Measure distance between cable connections on top of sign. This determines the center to center distance between brackets to be mounted to wall.

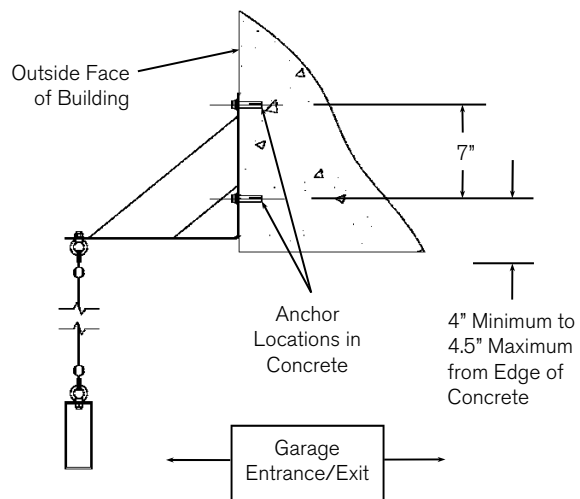


**Step 2:**

At desired sign mounting location mark wall with pencil, using measurement from Step 1. Refer to Figure A for illustration of proper hole height locations. Use 1/2" diameter masonry bit to drill holes 1-5/8" minimum to 1-11/16" maximum depth in wall on marks.



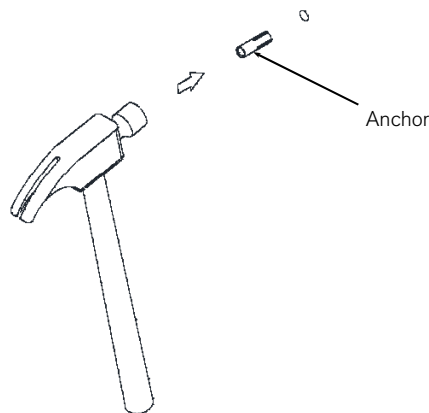
**Figure A:** Cutaway Side View Illustrating Proper Anchor Hole Height Locations in Wall at Garage Entrance/Exit



**Caution:** Cable cannot be allowed to contact obstacles or building structure in its swing path as this may result in cable failure.

**Step 3a:**

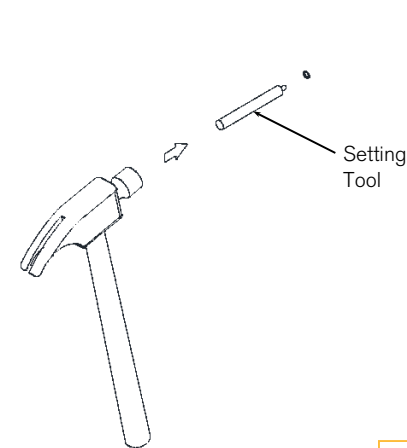
Insert anchors firmly into holes in wall, threaded end facing out, and tap remaining head of anchors in holes using hammer to seat flush. Proceed to Step 3b.



**Step 3b:**

Locate setting tool packaged separately. This is required to properly set anchors into concrete.

For each anchor, insert smaller diameter end of setting tool into threaded end of anchor. While maintaining setting tool in line with anchor, hammer end of setting tool, driving it into anchor until shoulder protrudes 1/4" to 1/8" from end of anchor.





K41 - TRANSIT—Bracket Cable Suspended Bang Bar Installation

**K41 Hardware Kit Includes:**

- Split Bolt, Cable Connector (2) 900-01102
- 3/8-16x1-5/8" Drop-in Anchor (4) 900-01103
- Bracket Assembly, Bang Bar (2) 900-01108
- 3/8" Flat Washer (4) 900-92141A031
- 3/8" Lock Washer (4) 900-92146A031
- 3/8-16x3/4" Hex Head Screw (4) 900-92240A622
- 3/8" Anchor Setting Tool \* (REF) 900-01104
- SS Wire Rope Thimble (2) 900-3868T42

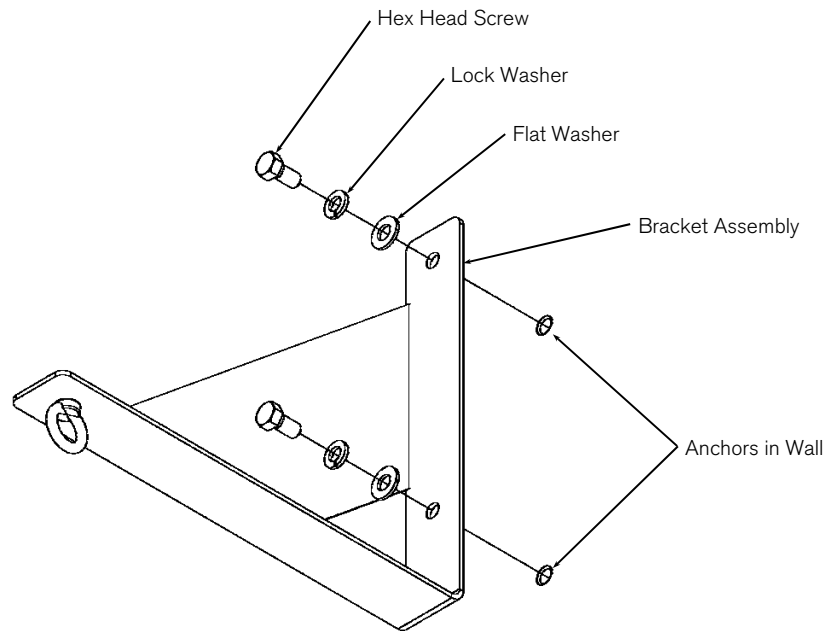
\*Above tool bagged separately, 1-3 included per job.

**Materials/Tools Required:**

- Level / Pencil
- Tape Measure
- Hammer
- 9/16" Wrench
- 5/8" Wrench
- Adjustable Wrench
- Drill with 1/2" masonry drill bit
- Wire Rope Cutter (for 3/32" SS Cable)

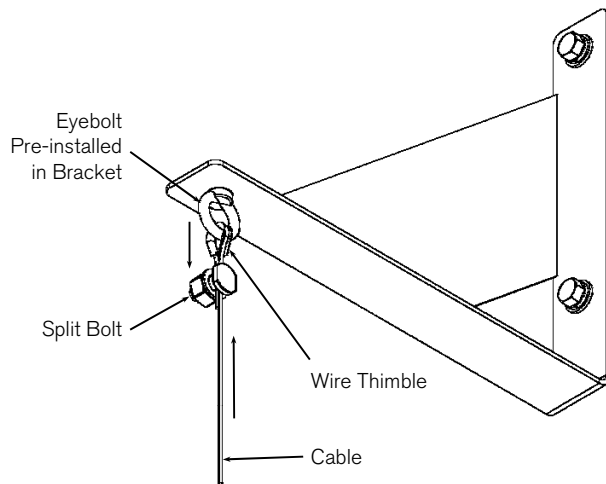
**Step 4:**

Install each bracket flush against wall using 3/8" flat washers, 3/8" lock washers and 3/8-16 x 3/4" long hex head screws, two each per bracket as shown. Use 9/16" wrench to securely fasten hex head screws tight against bracket.



**Step 5:**

Connect thimble to eyebolt. Insert end of cable through split bolt. Loop cable through eyelet of eyebolt, around thimble, and back through split bolt. Pull excess cable through to adjust sign height above floor, as determined by architect. Cinch split bolt to thimble, creating a tight cable loop, making sure the cable will not come off of thimble. Use 5/8" wrench and torque wrench to tighten split bolt applying 25 ft.-lbs. of torque to ensure a secure connection.



Repeat for other cable end, adjusting height to ensure sign is level in final position. Cut excess cable, leaving 1/4" to 1/2" excess cable exiting split bolt.

**Step 6:**

Remove finger prints from sign using mild non-abrasive household cleaning agents, such as water and mild liquid dish soap. DO NOT use ammonia or alcohol based cleaners.

