

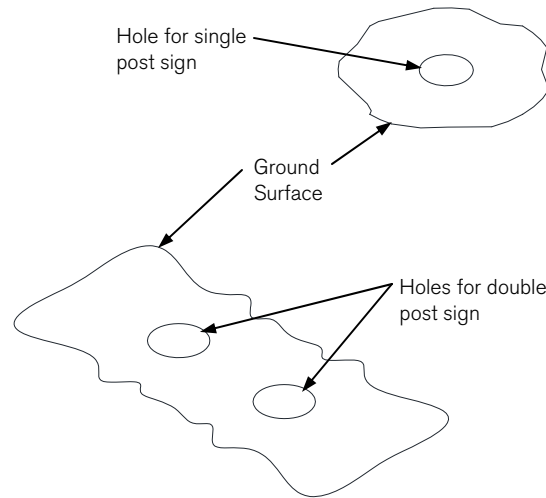
K20

Materials/Tools Required:

- Level
- Tape Measure
- Allen Wrench
- 8" Diameter Post Hole Auger
- Quikrete® Fast-Setting Concrete Mix
- Finishing Tamper

K20 - SIGNIFY PC & PP DIRECT BURY INSTALL

Step 1:
 Verify center location on ground for sign installation. Using an auger, make an 8" diameter hole 42" deep or below frost line, whichever is greater.



Step 2:
 Install sign centered in hole. Use tape measure to check that sign is set to proper height above grade and positioned according to requirements. Use level to ensure sign is level/plumb.

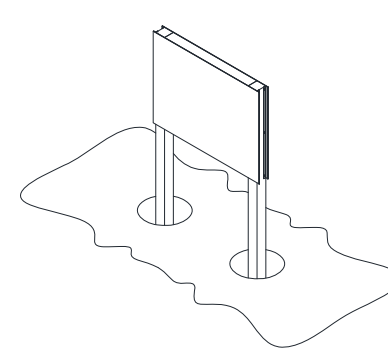


Figure 3a:
 Double Post & Panel Sign

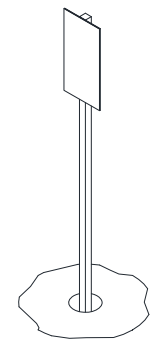
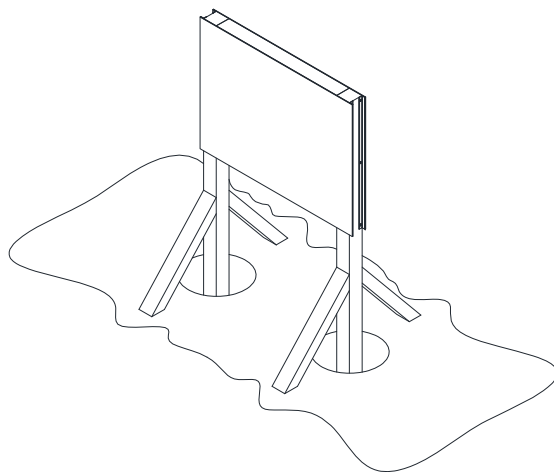


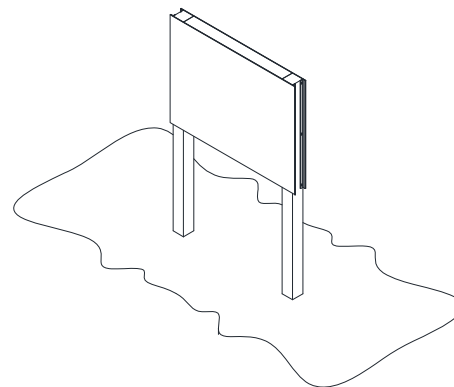
Figure 3b:
 Single Post & Panel Sign

Step 3:
 Using wood support beams or other means at installers discretion, ensure that sign is fully supported in position set from step 3. When using supports, make sure they do not damage sign finish. Remove supports once concrete has fully set.



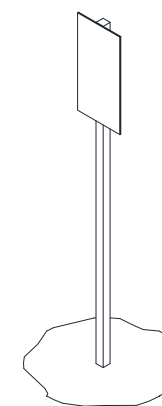
Step 4:
 Pour Quikrete® fast-setting concrete mix in hole, filling hole 28" deep or 2/3 of hole depth, whichever is greater. Ensure that a minimum of 24" of sign post is covered in concrete.

Step 5:
 Back fill hole and tamp disturbed earth in place, leaving a level surface finish.



Double Post & Panel Sign
 Completed Install

Step 6:
 Remove fingerprints using mild non-abrasive household cleaning agents, such as water and mild liquid dish soap. An adequate rinse should follow cleaning to assure cleansing of finish. Dilute the cleaning solution so as not to harm grass and shrubbery.



Single Post & Panel Sign
 Completed Install

***Important:** When installing sign, it must be aligned and centered to foundation and surrounding design elements (ex: sidewalks, curbs, building fascia).