

**K67 Hardware Kit Includes:**

- |                            |                   |
|----------------------------|-------------------|
| Rubber Sign Base           | (Ref)900-RF-SBSQ  |
| Perforated Steel Sign Post | (Ref)900-RF-MPSQ# |
| 1/4-20x2.5" Machine Screw  | (2) 900-90279A552 |
| 1/4" Flat Washer           | (4) 900-98023A029 |
| 1/4" Lock Washer           | (2) 900-91104A029 |
| 1/4-20 Hex Nut             | (2) 900-94895A029 |

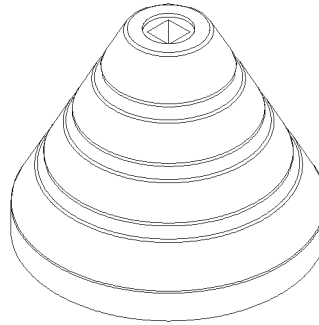
**Materials/Tools Required:**

- Phillips Head Screwdriver
- Adjustable Wrench

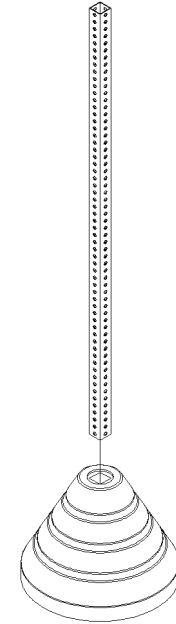
**Recommended Cleaning Materials:**

- Lint Free Cloth or Wipes
- Fantastik® All-Purpose Heavy Duty Cleaner

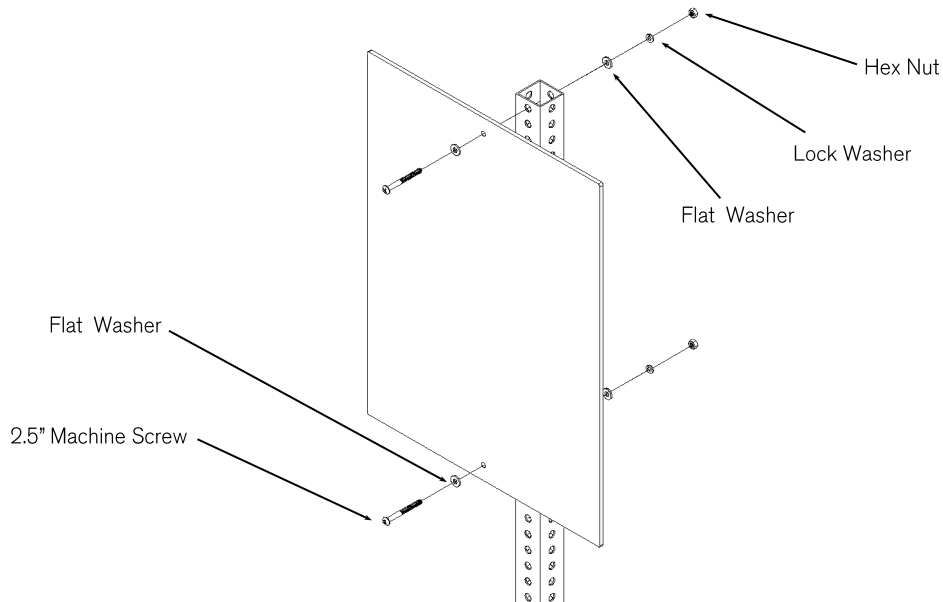
**Step 1:**  
Place rubber base in desired location.



**Step 2:**  
Insert post into rubber base.  
Post will go all the way through rubber base.



**Step 3:**  
Attach sign to perforated sign post as illustrated below.



**Step 4:**  
Remove finger prints from sign faces and edges using recommended cleaners. DO NOT use Ammonia or Alcohol based cleaners.

