



takeform

Architectural Graphics

800 . 528 . 1398

www.takeform.net

K25

Materials/Tools Required:

- Level
- Pencil
- Tape Measure
- Caulk Gun

Recommended for Tamper Resistant Installations:

Alex Plus Latex Caulk

Recommended Cleaning Materials:

Lint Free Cloth or Wipes

Important: Wall surface must be clean and dry prior to adhering signs. Allow paint to dry at least 72 hours.

Location Requirements:

See ADA mounting height requirements page.

For more information visit:

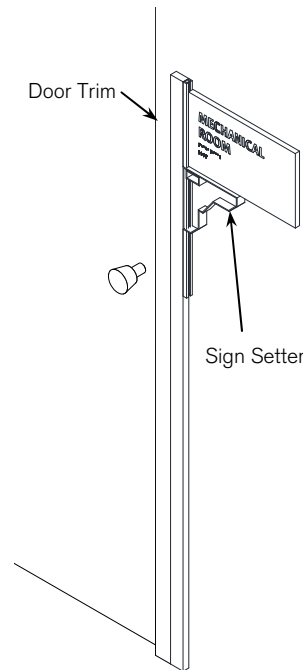
www.ada.gov/2010adastandards_index.htm

K25 - Tape Mount with Tamper Resistance

Step 1: Using a Sign Setter

Refer to the ADA Mounting Height page and use the Sign Setter to determine the correct mounting height and distance from the door trim.

If not using a Sign Setter, proceed to Step 2.

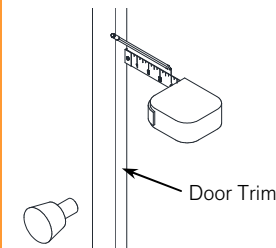


Step 2:

Refer to the ADA Mounting Height page to determine the correct mounting height and distance from the door trim.

Mark required distance from the door trim on the latch side of door.

Mark the required height on the wall from the floor to the top of the sign.

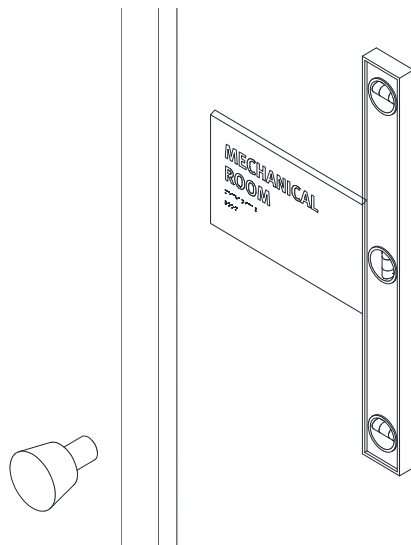


See ADA Mounting Height page for correct dimension

Step 3:

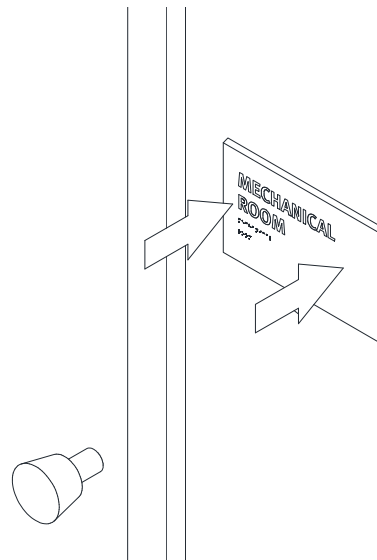
Peel liner off of tape squares.

Place sign on wall aligning with measurement marks. Check that sign is level.



Step 4:

Press sign firmly to wall.



Step 5: Optional for Tamper Resistance

Using a caulk gun with Alex Plus Latex Caulk, which can be purchased at most hardware stores, carefully apply a smooth clean bead of caulk around the edge of the sign. For proper installation the bead CANNOT EXCEED beyond the edge of the sign.

Step 6:

Remove finger prints from sign face and edges using recommended cleaning materials. DO NOT use ammonia or alcohol based cleaners.

