

K47

Materials/Tools Required:

- Felt Tipped Squeegee
- Lint Free Cloth
- Tape Measure, Razor Knife
- Level or Laser Level (recommended for large graphics with text, horizontal or vertical lines that require leveling)

Recommended Cleaning Materials:

Mild soap and water solution

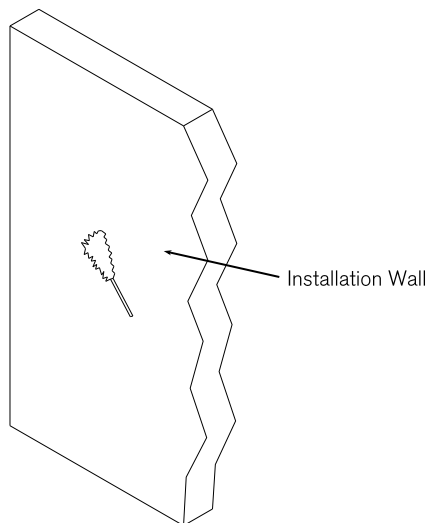
Important Installation Guidelines:

- Wall must be flat, smooth, clean and dry.
- Applicable surfaces are painted or primed drywall, painted doors, windows/glass not exposed to direct sunlight, metal and painted metal.
- Install temperature must be 50°F to 100°F.
- Do not install onto walls with oil-based paint finish or anti-graffiti coating.
- Allow paint to dry for 30 days prior to installation to avoid outgassing of paint and bubbling of graphic.

K47 - Amplify Self-Adhesive Decal Installation

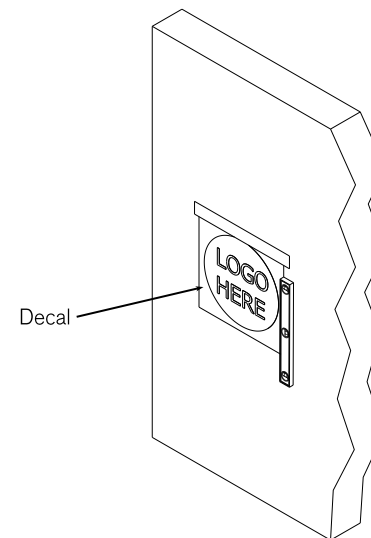
Step 1: Surface Preparation

Wipe down wall using a dusting brush, lint free cloth or wet sponge to remove dust and debris. Allow surface to completely dry before installation.



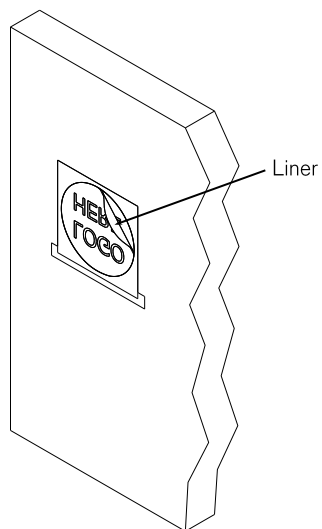
Step 2:

Position decal in desired location, using a level to ensure level and masking tape along top edge to hold in place.



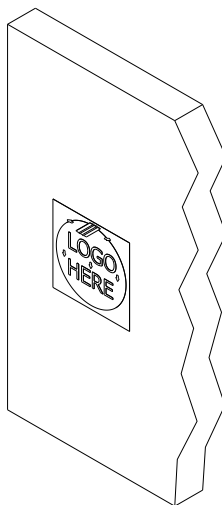
Step 3:

Flip decal to access backside. Carefully pull off paper liner to expose adhesive. Be sure not to let the adhesive side of the decal touch itself.



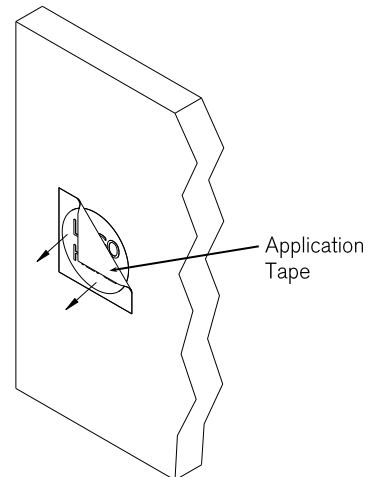
Step 4:

Flip decal to apply to wall. Smooth decal against wall with a squeegee, starting at the top and working from center outward as you work your way down. Be sure to remove all air bubbles and wrinkles. If any bubbles or wrinkles remain, gently peel away from wall and reapply with squeegee.



Step 5:

Carefully peel application tape from front face on a 180° angle. Do not pull the application tape straight out as this can pull up the decal. If decal starts to lift, replace application tape and squeegee over decal again before removing.



Step 6: Clean Up

Clean the decal using recommended cleaners and wipe with a lint free cloth.

