

K22-1 Hardware Kit Includes:

Rigid Mounting Template
 Simpson SETPAC-EZ Epoxy- (1) A0250
 tie anchoring adhesive cartridge

And either A, B, C or D set of hardware per below:
 (2 or more sets are required per Cabinet install)

A.
 3/8-16 x 2.75 Steel Anchor (4) 900-93980A150
 3/8-16 x 1.25 SS SHCS (4) 900-92196A626
 3/8 SS Lock Washer (4) 900-92146A031
 3/8 SS Flat Washer (4) 900-92141A031

B.
 1/2-13 x 3.69 Steel Anchor (4) 900-93980A170
 1/2-13 x 1.25 SS SHCS (4) 900-92196A714
 1/2 SS Lock Washer (4) 900-92146A033
 1/2 SS Flat Washer (4) 900-92141A033

C.
 5/8-11 x 5.75 Steel Anchor (4) 900-93980A190
 5/8-11 x 1.75 SS SHCS (4) 900-92196A800
 5/8 SS Lock Washer (4) 900-92146A035
 5/8 SS Flat Washer (4) 900-92141A035

D.
 3/4-10 x 6.50 Steel Anchor (4) 900-93980A210
 3/4-10 x 2.00 SS SHCS (4) 900-92196A843
 3/4 SS Lock Washer (4) 900-92146A036
 3/4 SS Flat Washer (4) 900-92141A056

Materials/Tools Required:

Level / Caulk Gun / Masking Tape / Tape Measure
 Protective Bib (cardboard, plastic sheet or drop cloth)
 Compressed Air
 Hammer Drill
 Masonry Drill Bit (see below for bit diameter)

- 1/2" for anchor in "A" set of hardware
- 5/8" for anchor in "B" set of hardware
- 7/8" for anchor in "C" set of hardware
- 1" for anchor in "D" set of hardware

Hex L-Key

- 5/16" for SHCS in "A" set of hardware
- 3/8" for SHCS in "B" set of hardware
- 1/2" for SHCS in "C" set of hardware
- 5/8" for SHCS in "D" set of hardware

EXISTING FOUNDATION

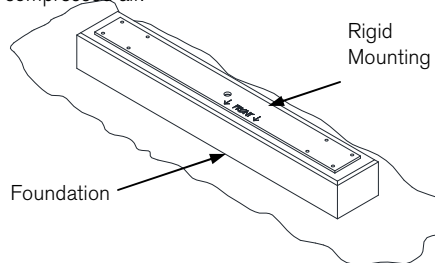
Step 1: Drill Anchor Holes

Place and temporarily secure rigid mounting template on top of existing foundation where sign is to be mounted. Using the template as a guide, drill anchor holes into existing foundation to depth listed (depth does not include template):

- 3" for anchor in "A" set of hardware
- 4" for anchor in "B" set of hardware
- 6" for anchor in "C" set of hardware
- 7" for anchor in "D" set of hardware

Step 2: Clean Out Holes

After holes are drilled, remove template and blow out each drilled hole to remove debris, using a minimum of 80 psi of oil free compressed air.

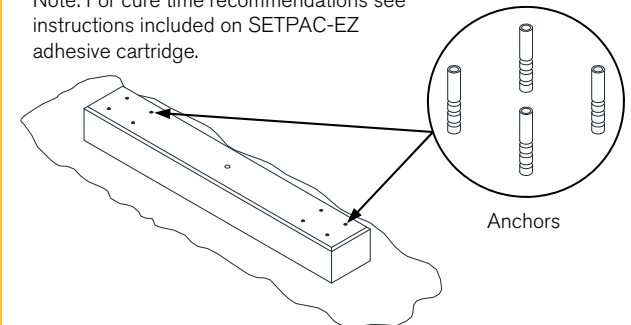


Step 3: Anchor Installation

Place protective bib around outside of hole to protect against concrete damage from adhesive spill out. For dry or damp hole conditions, fill hole 1/2 to 2/3 full with SETPAC-EZ adhesive, starting from bottom, to prevent air pockets. For water conditions, fill hole completely with adhesive, starting from bottom, to prevent water pockets. Next, insert clean oil-free anchor into hole, turning slowly until anchor sits just below flush. Wipe off excess adhesive protruding from hole. Repeat process for remaining anchors.

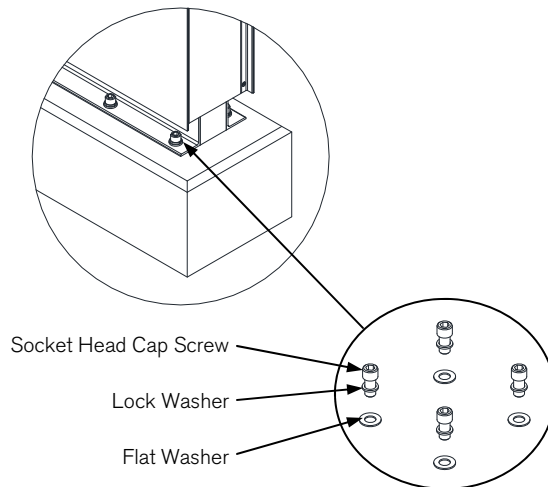
Caution: Anchor must not protrude from the hole or it will interfere with mounting flange on bottom of sign.

Note: For cure time recommendations see instructions included on SETPAC-EZ adhesive cartridge.



Step 4: Sign Mounting

Install sign to foundation using flat washers, lock washers and socket head cap screws provided, aligning mounting plate hole locations on bottom of sign with anchors. Use level to ensure sign is level/plumb. Shims (not provided) may be required to level sign if foundation is not level. For a clean finish, ensure shims are not showing. Optionally, grout under flange.



Step 5:

Remove fingerprints using mild non-abrasive household cleaning agents, such as water and mild liquid dish soap. An adequate rinse should follow cleaning to assure cleansing of finish. Dilute the cleaning solution so as not to harm grass and shrubbery.

