



K59 - LUCID—Z-Clip Mount Installation

**K59 Hardware Kit Includes:**

- #10-24 Drywall Toggle (6) 900-01024
- #10-24x2.5" Machine Screw (6) 900-110170359
- #10 Wall Anchor (6) 900-01028
- #10x1.5" Sheet Metal Screw (6) 900-1172936
- Z-Clip Continuous (cut to size) (2) 900-MF-375-144
- White Cotton Gloves (Ref) 900-S7892M
- Mounting Template

**Materials/Tools Required:**

Tape / Level / Pencil / Tape Measure / Hammer  
 Drill with 7/32" and 1/2" drill bit and Phillips Head bit

**Recommended Cleaning Materials:**

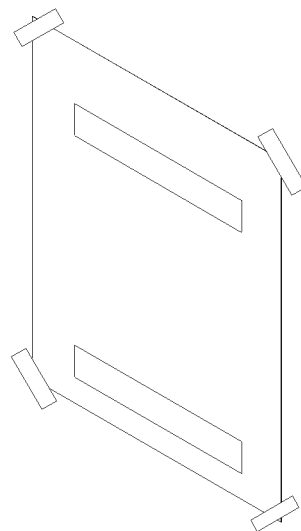
Lint Free Non-abrasive Cloth or Wipes  
 Fantastik® All-Purpose Heavy Duty Cleaner

**Important Installation Guidelines:**

- A minimum clearance of 1/2" from ceiling to top of sign (in final position on wall) is required for installation.
- White cotton gloves to be worn at all times when touching sign components. Installer supplied clean, powder free, nitrile gloves also acceptable.

**Step 1:**

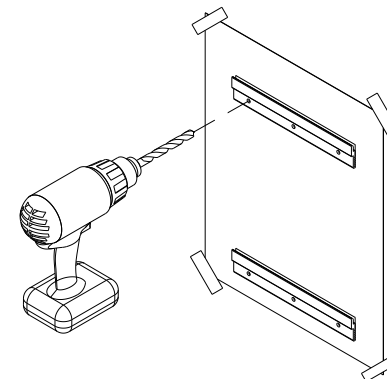
Tape template on wall at desired location, using a level to ensure template is level/plumb.



**Step 2:**

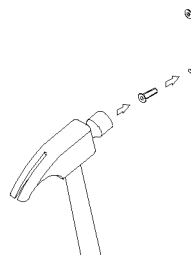
Place continuous Z-Clip on template in outlined areas and use it to mark the hole centers. Drill holes on marks using method A or B, depending on wall conditions as noted below:

- A. For concrete/masonry installation, the recommended mounting hardware is a wall anchor. Drill 7/32" diameter holes. Install anchors per Step 3a.
- B. For drywall installation, the recommended mounting hardware is a drywall toggle. Drill 1/2" diameter holes and deburr them. Insert toggles per Step 3b.



**Step 3a: Wall Anchors**

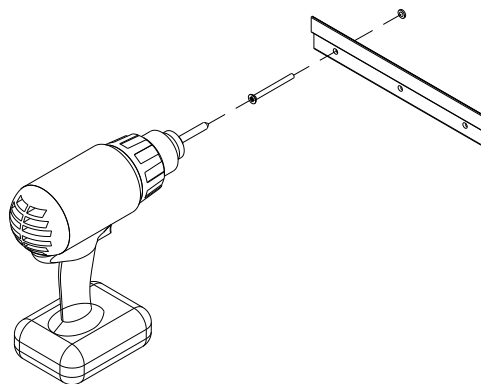
Drive anchors into masonry wall and seat flush. Proceed to Step 4.



**Step 4:**

If going into anchors, use drill with phillips head bit to install #10 sheet metal screws through holes in z-clips and into wall anchors. Ensure that z-clips are seated flush to wall.

If going into drywall toggles, use drill with phillips head bit to install #10 pan head machine screws through holes in z-clips and into drywall toggles. Ensure that z-clips are seated flush to wall.

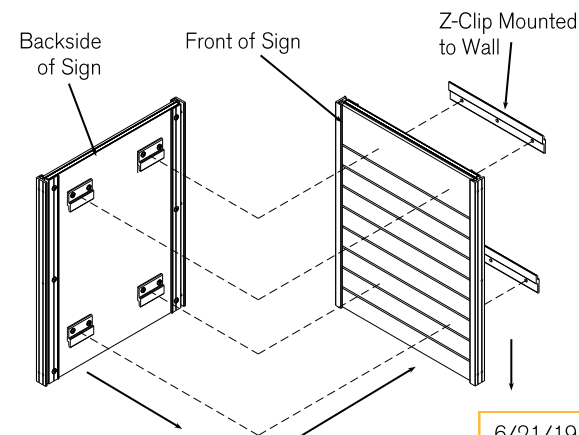


**Step 5:**

Carefully position sign flush against wall with z-clips on backside of sign aligned over z-clips on wall. Slide sign down into position to engage contact with all z-clips, securing sign against wall.

**Step 6:**

Remove finger prints from sign faces and edges using recommended cleaners. DO NOT scrub when cleaning sign. DO NOT use ammonia or abrasive materials.



**Step 3b: Drywall Toggles**

Insert toggles into holes. Cinch retaining ring until tight against wall and seated in each hole. Break off excess plastic. Proceed to Step 4.

