

**K18 Hardware Kit Includes:**

- #10-24 Drywall Toggle (4) 900-01024
- #10-24x1.5" Machine Screw (4) 900-1172446
- #10 Wall Anchor (4) 900-01028
- #10x1.5" Sheet Metal Screw (4) 900-1172936
- Pop-On Screw Cover (4) 900-SC2-810LG
- Pop-On Screw Base (4) 900-SC2-B10P
- Mounting Template

**Materials/Tools Required:**

Level / Masking Tape / Tape Measure  
 Phillips Screwdriver or Phillips Head bit with 4" extension  
 Drill with 7/32" bit or 1/2" bit (see Step 2)

**Recommended Cleaning Materials:**

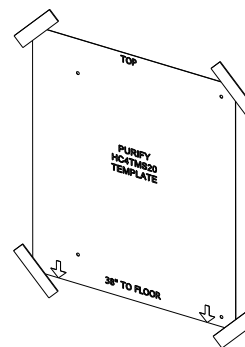
Lint Free Cloth or Wipes  
 Fantastik® All-Purpose Heavy Duty Cleaner

**Location Requirements:**

Mount unit 38" above finished floor, measured from bottom of metal enclosure to floor, for ADA compliance conforming to ANSI A117.1 Section 308.2 and 309.

**Step 1:**

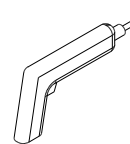
Tape template on wall at desired location. Use level to ensure bottom of template (line with arrows) is level/plumb and positioned 38" above finished floor.



**Step 2:**

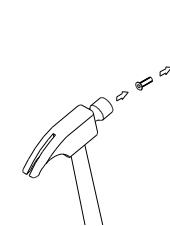
At hole center marks in template, drill holes using method A or B, depending on wall conditions as noted below:

- A. For concrete/masonry installation, the recommended mounting hardware is a wall anchor. Drill 7/32" diameter holes. Install anchors per Step 3a.
- B. For drywall installation, the recommended mounting hardware is a drywall toggle. Drill 1/2" diameter holes and deburr them. Insert toggles per Step 3b.



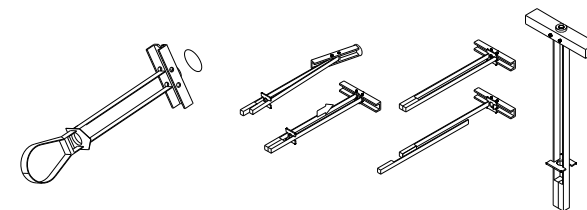
**Step 3a: Wall Anchors**

Drive anchors into masonry wall and seat flush. Proceed to Step 4.



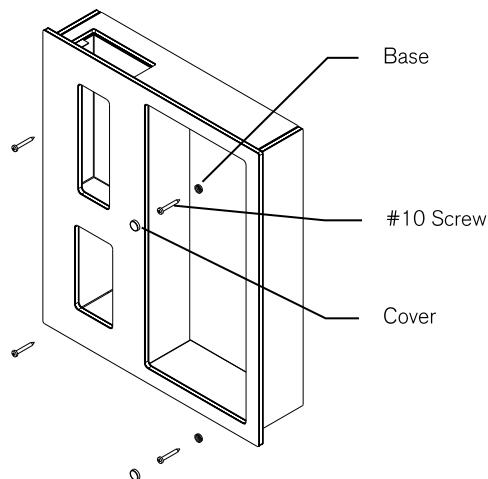
**Step 3b: Drywall Toggles**

Insert toggles into holes. Cinch retaining ring until tight against wall and seated in each hole. Break off excess plastic. Proceed to Step 4.



**Step 4:**

Attach Sanitizer Station to wall using #10 round head screws (machine screws if using drywall toggles, sheet metal screws if using wall anchors). For exposed screws in sanitizer dispenser area, install pop-on screw base to #10 screw prior to installing to wall. Attach pop-on screw cover to base after install to cover screw heads.



**Step 5:**

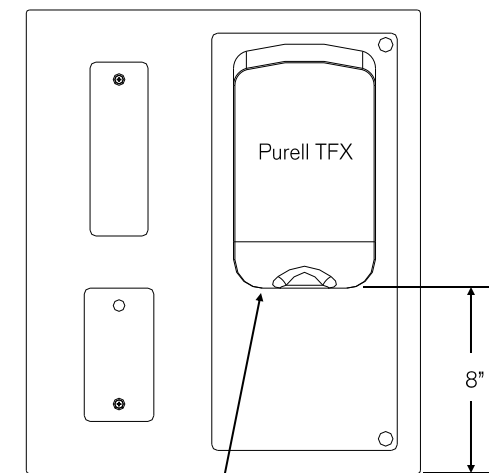
Install accessories into Sanitizer Station unit based on configuration (accessories are not supplied). See below for accessory size requirements and product recommendations.

**Accessories:**

- Tissues - designed for use with standard grade tissue box 9"W x 4.8"H x 2"D. For example, Kimberly-Clark Professional Kleenex Facial Tissue, model # 21400.
- Hand Sanitizer Dispenser - designed for use with ADA compliant hand sanitizer dispensers 6"W x 10.5"H x 4"D. For example, Purell TFX Dispenser model # 2720-12 used with Purell TFX 1200mL Refill model # 5456-04. Mount this touch-free dispenser, as shown in Step 6, at a distance of 8" above bottom edge. If a push button style dispenser is used, the dispenser must be positioned at a maximum height of 44" from finished floor to the push button itself, for ADA compliance conforming to ANSI A117.1 Section 308.2 and 309.
- Masks - designed for use with standard procedure masks 7"W x 3.7"H. For example, Kimberly-Clark Procedure Mask model # 47080.

**Step 6:**

Remove finger prints using recommended cleaning materials.



Dispenser shown for reference only