



K34 - MOXIE—Decorative Security Mount Installation

**K34 Hardware Kit Includes:**

- #14 Wall Anchor (2) 900-331617
- Nylon Washer, 0.31x0.50"OD (2) 900-95606A430
- Decorative Screw, #14x1.57" (2) 900-BW0740UHDNI
- Mounting Template

Note: Multiple K34 kits are supplied to match the holes count per sign.

**Materials/Tools Required:**

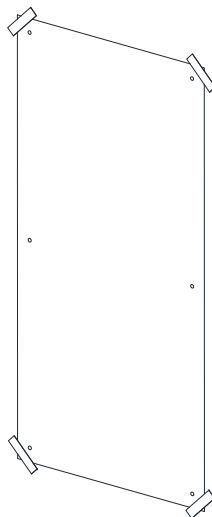
- Tape
- Level
- Pencil
- Tape Measure
- Hammer
- Drill with 5/16" drill bit
- 4mm hex drive bit

**Recommended Cleaning Materials:**

- Lint Free Cloth or Wipes
- Fantastik® All-Purpose Heavy Duty Cleaner

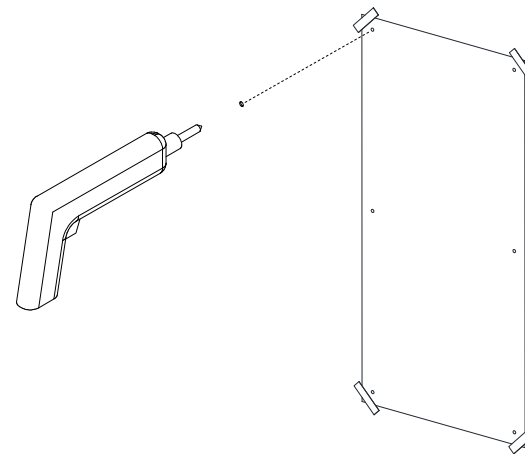
**Step 1:**

Tape template on wall at desired location, using a level to ensure template is level/plumb.



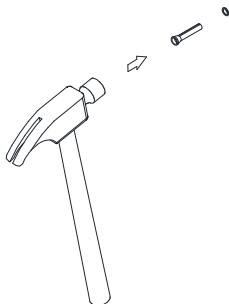
**Step 2:**

At center of hole marks in template drill 5/16" diameter holes by 1-5/8" deep into wall.



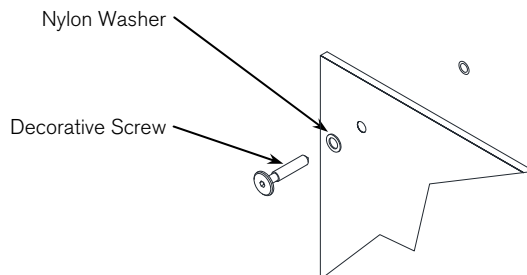
**Step 3:**

Remove template from wall, deburr holes, and install #14 wall anchors into holes, seated flush to wall, using hammer to drive anchors into holes in wall.



**Step 4:**

Carefully position sign flush against wall, aligning holes in sign with anchors in wall. Using drill with 4mm hex drive bit, install decorative screws and nylon washers to secure sign flush to wall. DO NOT overtighten screws.



**Step 5:**

Remove finger prints from sign face and edges using recommended cleaning materials. DO NOT scrub when cleaning sign. DO NOT use ammonia or abrasive materials.

